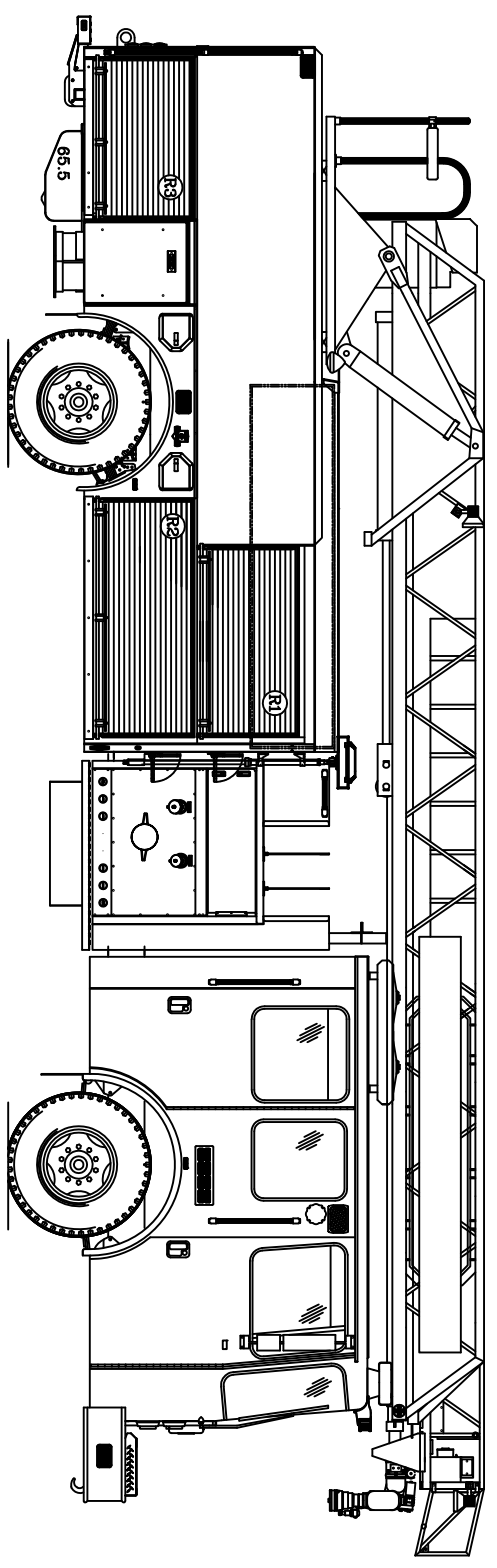
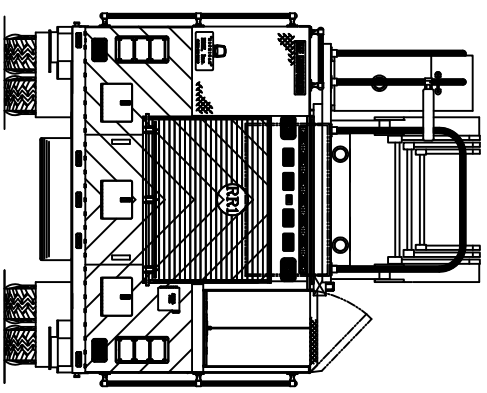
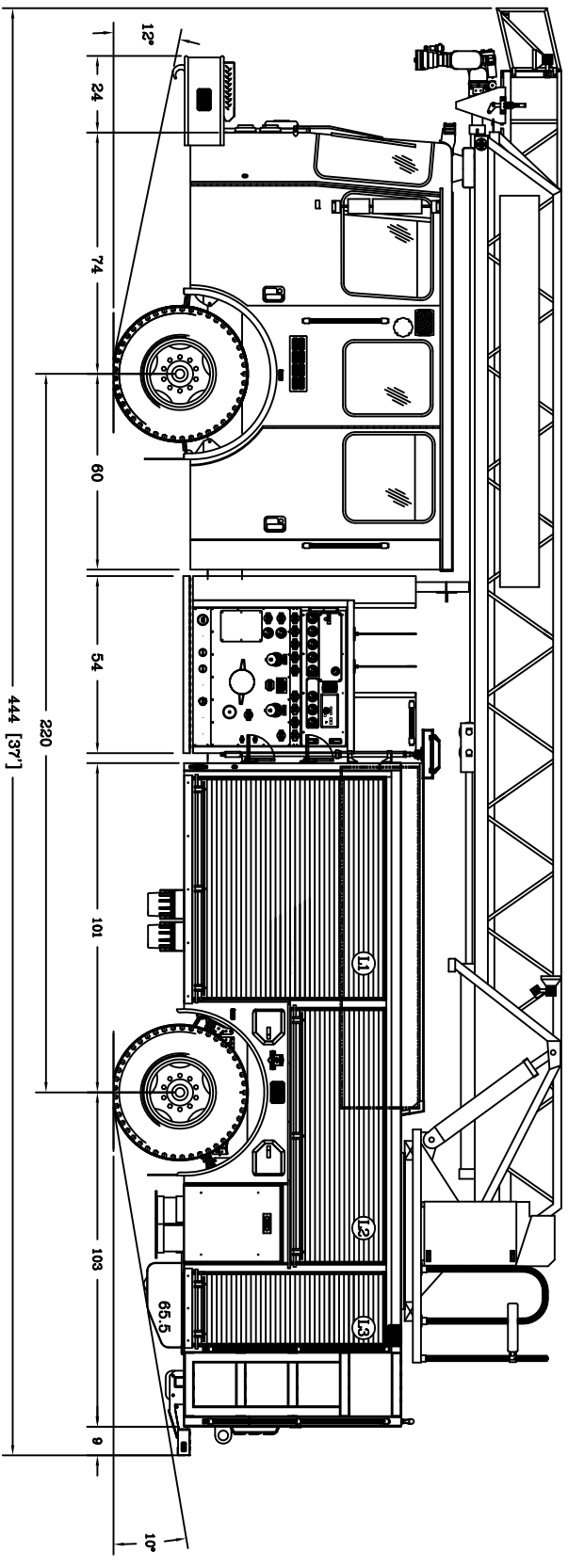
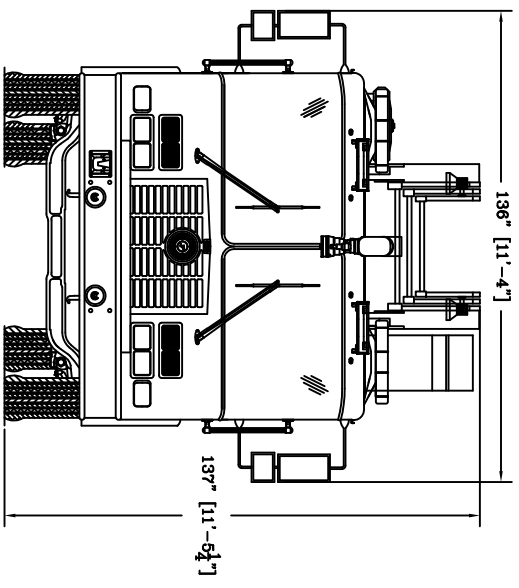
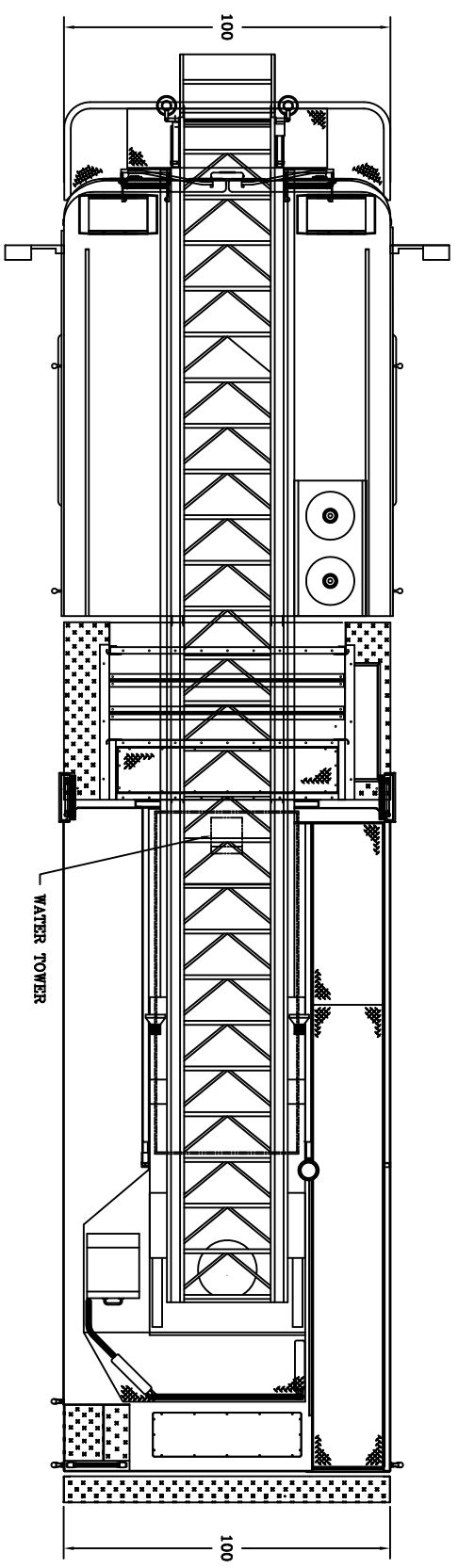


8 7 6 5 4 3 2 1

THIS DRAWING IS AN OVERALL REPRESENTATION OF THE APPARATUS AS PROPOSED.  
 THE EXACT LOCATIONS OF ACCESSORIES OR COMPONENTS MAY BE REVISED PENDING COMPLETE ENGINEERING REVIEW OF THE OPTION CONTENT OF THE ORDER.  
 IF THERE IS A DISCREPANCY BETWEEN THE BODYBUILDER PRINT AND THE WRITTEN PROPOSAL, THE SPECIFICATIONS WITHIN THE PROPOSAL PREVAIL.



This drawing along with any changes made and initialed by both the Fire Department & HME, Inc. represents what will be constructed and supplied to the Fire Department. Any changes to the contract specifications and drawing after today's date will be addresses via appropriate change order signed and approved by both the Fire Department & HME, Inc.

APPROVED BY: \_\_\_\_\_ TITLE: \_\_\_\_\_  
 FIRE DEPARTMENT

APPROVED BY: \_\_\_\_\_ TITLE: \_\_\_\_\_  
 HME, Incorporated

A		G.G.		19 SEPT '11		ORIGINAL RELEASE	
LET		BY		DATE		REVISION	
<p>THIS PRINT IS PROVIDED ON A RESTRICTED BASIS AND IS NOT TO BE USED IN ANY WAY DETRIMENTAL TO THE INTERESTS OF HME, INC.</p> <p><b>HME INCORPORATED</b></p> <p>1950 BYRON CENTER AVE.          WYOMING, MI. 49509</p>							
NAME		HME 78'		SA AERIAL DEMO			
DRAWN		G. GUNDERSON		DATE		APPROVED	
DATE		16 SEPT 11		N/A		DRAWING FILE	
SIZE		16		NUMBER		222244	
SCALE		1" = 1'		SHEET		1 OF 1	

CREATED WITH AUTOCAD®

8 7 6 5 4 3 2 1