

MANUAL SUPPLEMENT CUMMINS ISL/X ENGINE INTERFACE

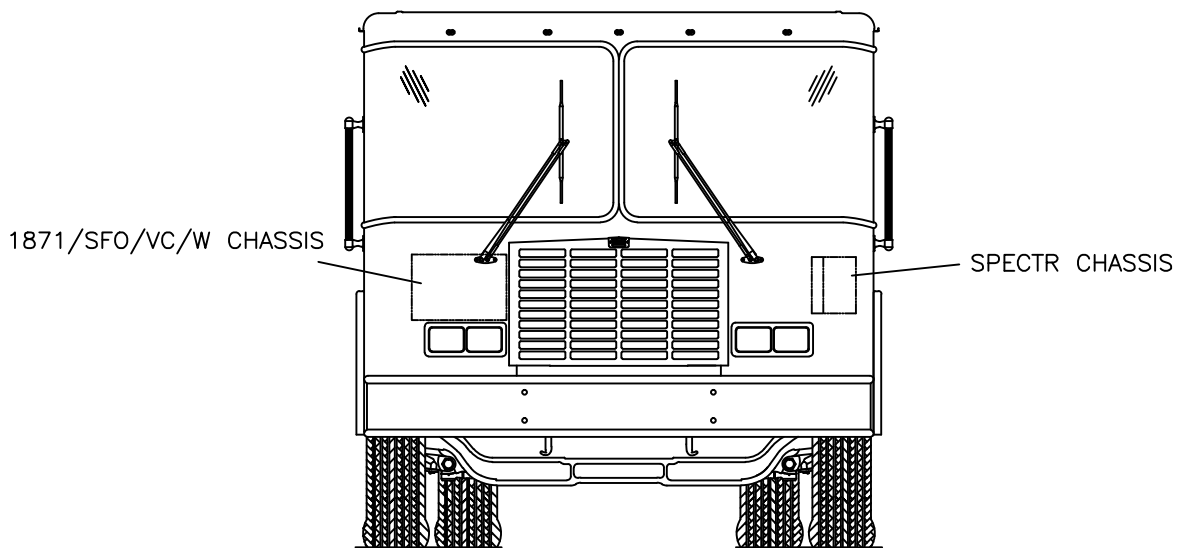
CONTENTS

COMPONENT LOCATIONS/HARNESS ROUTING.....	2
INTEGRATED FUSE/RELAY PANEL (MULTIPLEXED).....	3
INTEGRATED FUSE/RELAY PANEL (NON-MULTIPLEXED).....	4
ENGINE ADD-ON PANEL (NON-MULTIPLEXED).....	5
CONNECTOR POPULATION (ENGINE ECU).....	6
CONNECTOR POPULATION (ENGINE HARNESS).....	7
OEM INTERFACE PART 1 – COMMON CIRCUITS (MULTIPLEXED).....	8
OEM INTERFACE PART 1 – COMMON CIRCUITS (NON-MULTIPLEXED).....	9
OEM INTERFACE PART 2 – POWER & DATA LINK.....	10
PARTICULATE FILTER AND REGENERATION INHIBIT SW.....	11
ENGINE BRAKING.....	12
FAN CLUTCH.....	13
EXHAUST AFTERTREATMENT.....	14
FLUID LEVEL SWITCH POWER.....	15

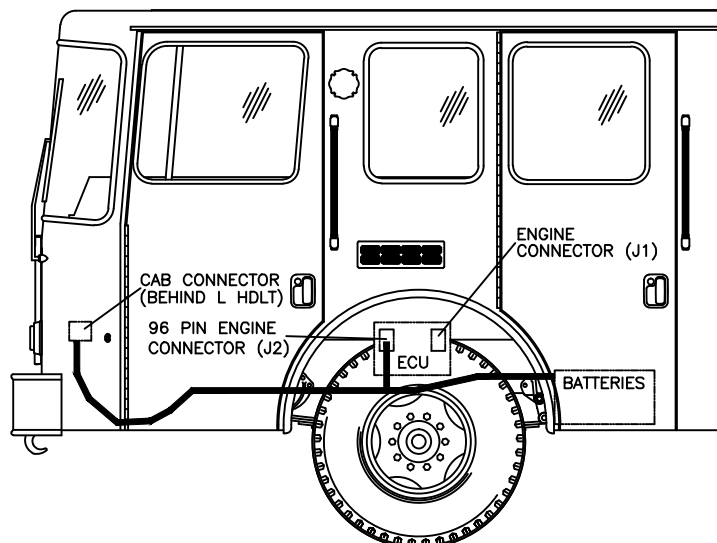
THIS MANUAL HAS BEEN DESIGNED AS A SUPPLEMENT FOR THE H.M.E. CUSTOM FIRE TRUCK CHASSIS ELECTRICAL SCHEMATICS MANUAL. IT'S CONTENT AND ANY SUPPORTING DOCUMENTATION HAS BEEN PROVIDED ON A RESTRICTED BASIS AND IS NOT TO BE USED IN ANY MANNER DETRIMENTAL TO THE INTERESTS OF H.M.E. INCORPORATED.

IT SHOULD BE NOTED THAT SOME FEATURES ARE OPTIONAL AND NOT ALL FEATURES ARE AVAILABLE ON ALL CHASSIS LINES. IT SHOULD ALSO BE NOTED THAT AS H.M.E. CHASSIS ARE CUSTOM BUILT SOME OF THE SYSTEMS DEFINED IN THIS MANUAL MAY HAVE BEEN MODIFIED. SEE SUPPORTING DOCUMENTATION FOR ANY SUCH MODIFICATIONS.

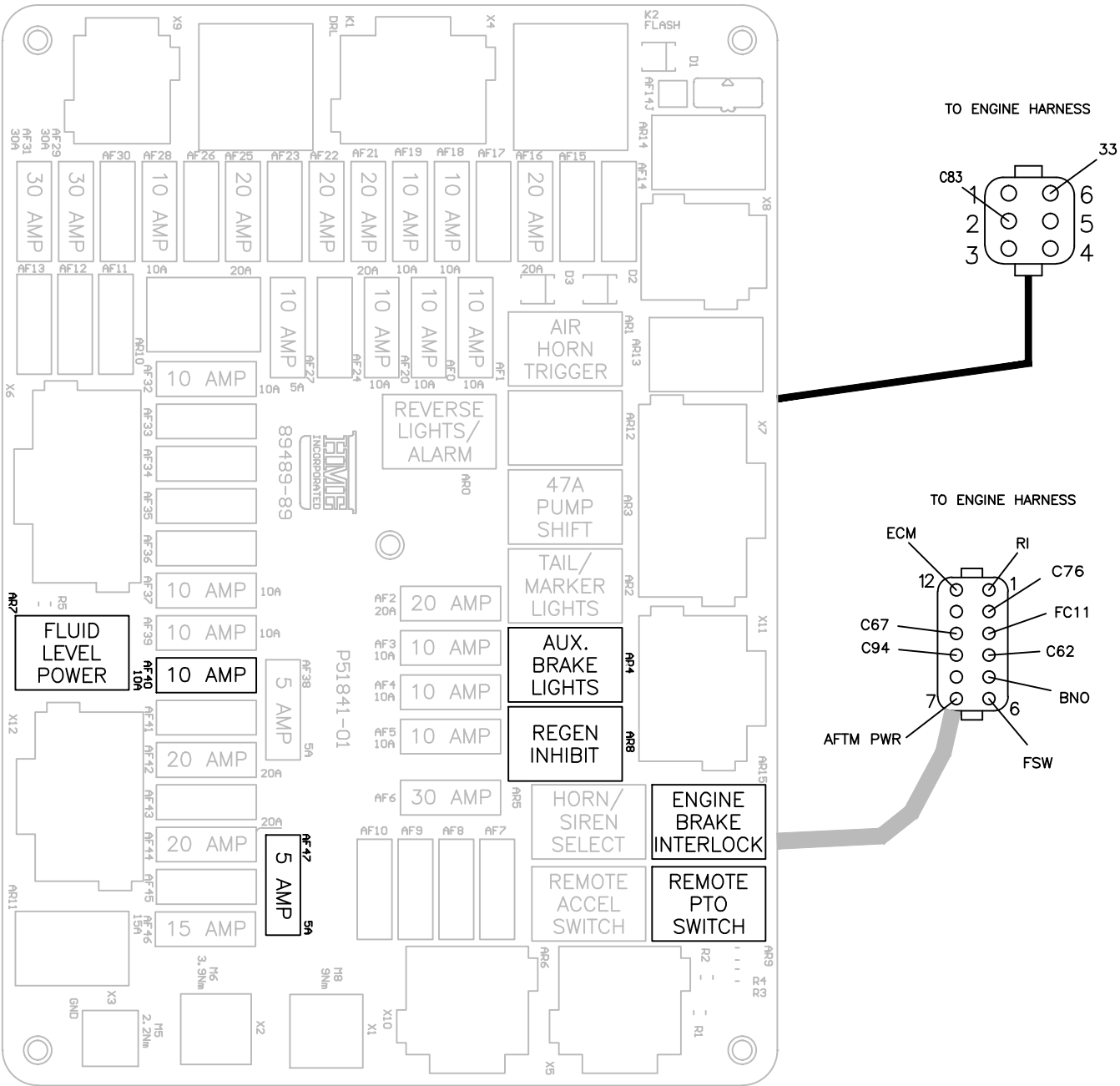
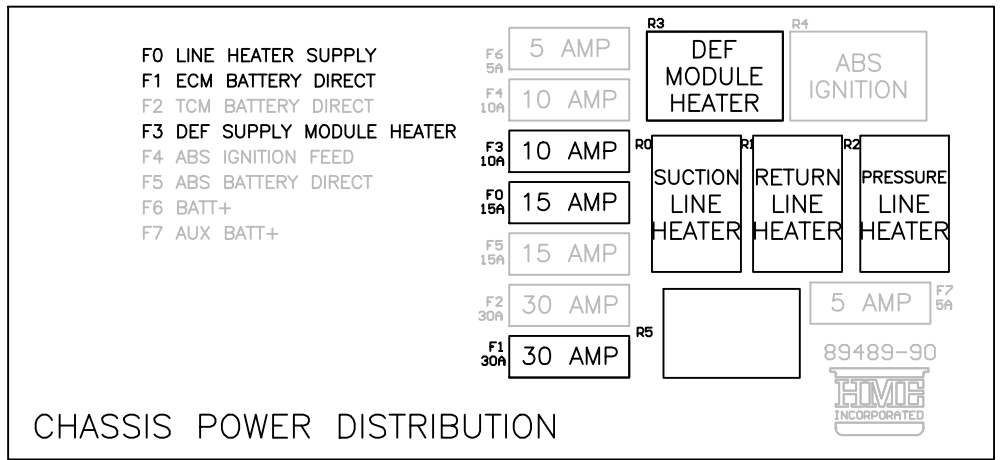
WHILE EVERY EFFORT WILL BE MADE TO MAINTAIN THE ACCURACY OF THIS MANUAL ACTUAL PRODUCTION PROCEDURES MAY CHANGE ANYTIME GOOD ENGINEERING PRACTICE DEEMS NECESSARY.



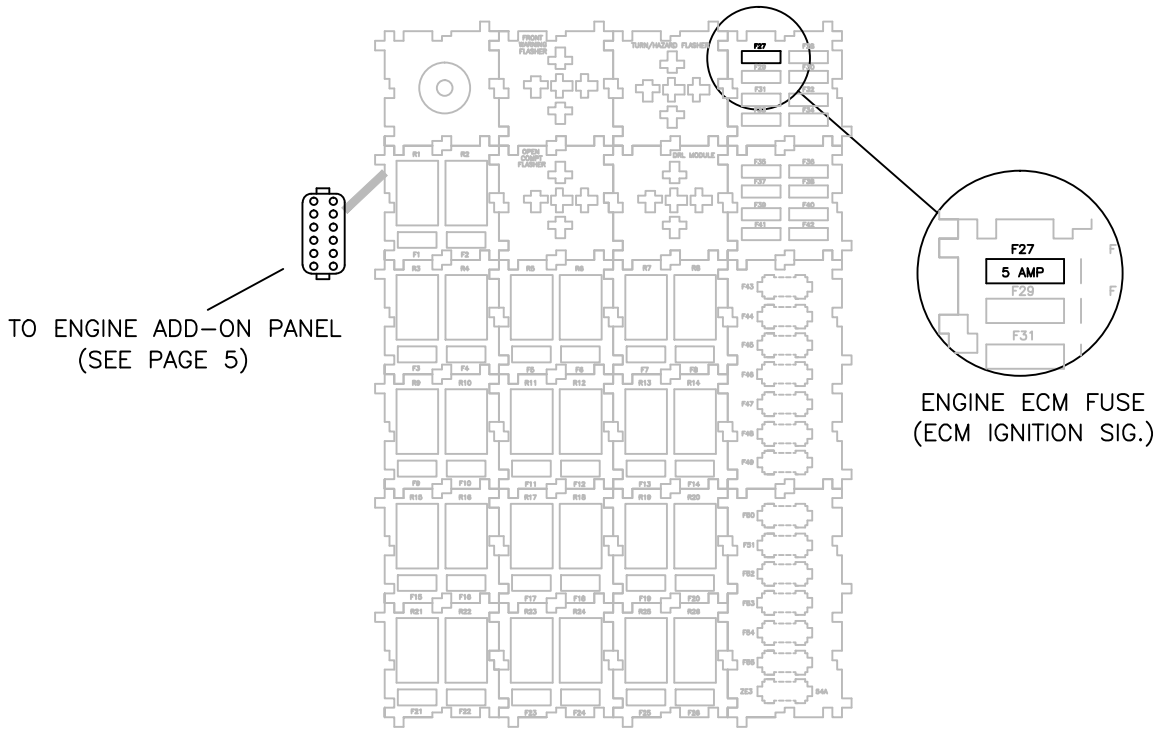
FUSE/RELAY PANEL LOCATION



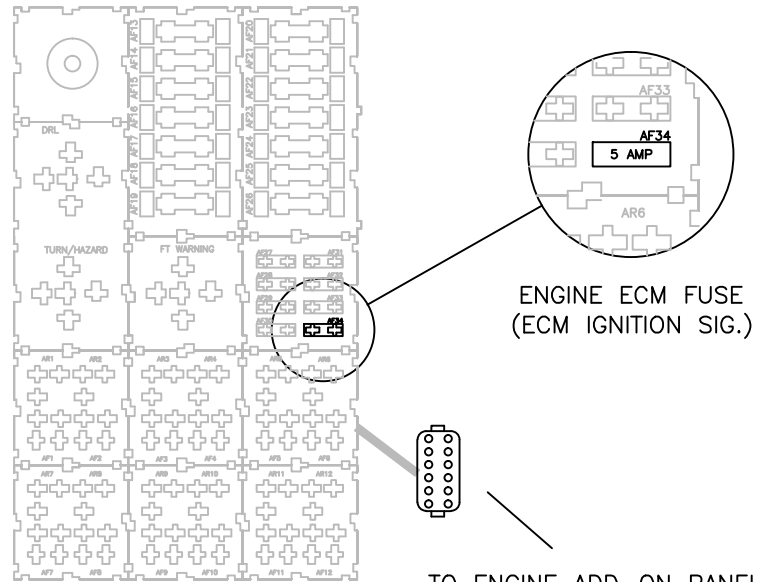
ENGINE INTERFACE HARNESS ROUTING



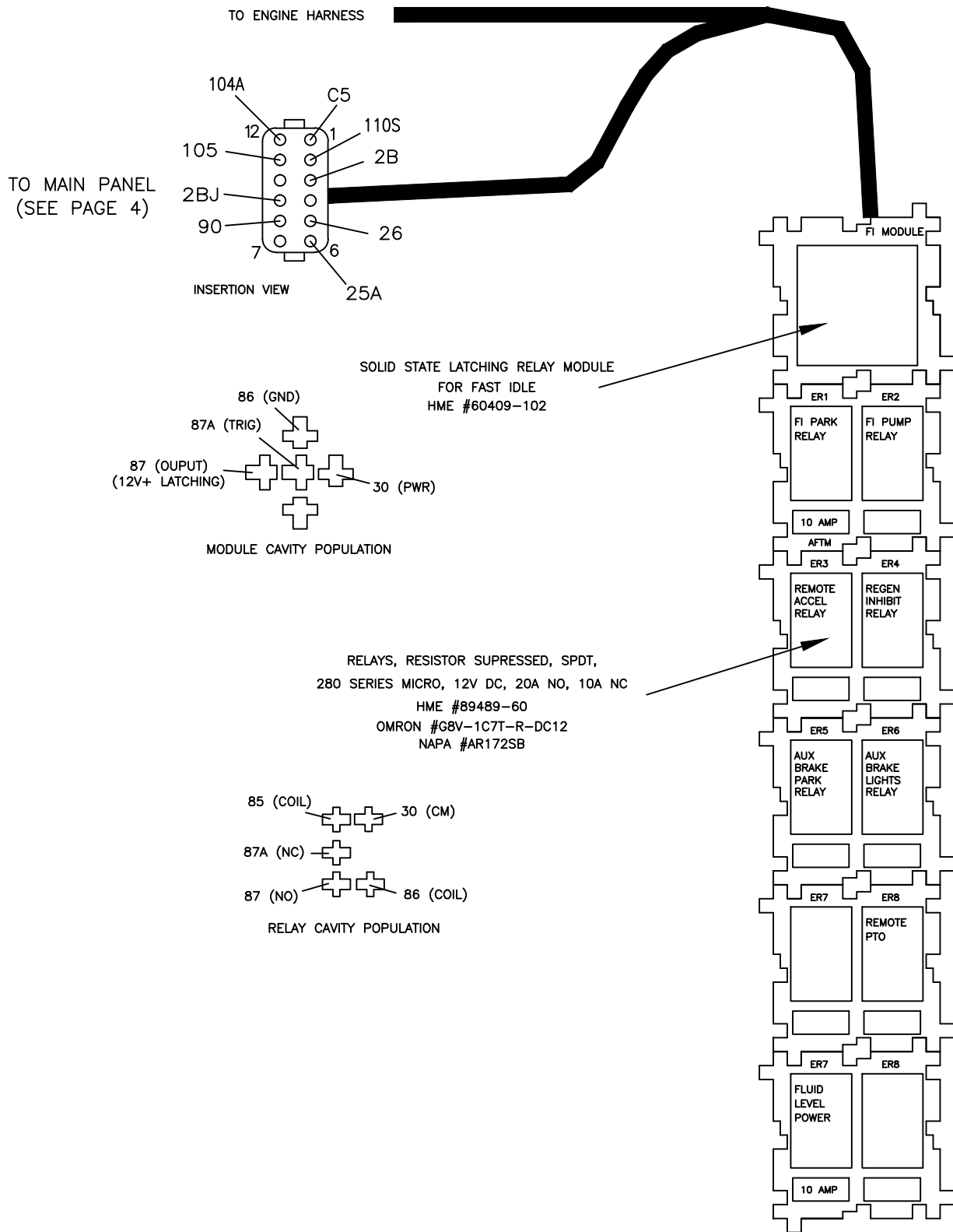
AF40: AFTM PWR
 AF47: ENGINE ECM FUSE
 (ECM IGNITION SIG.)



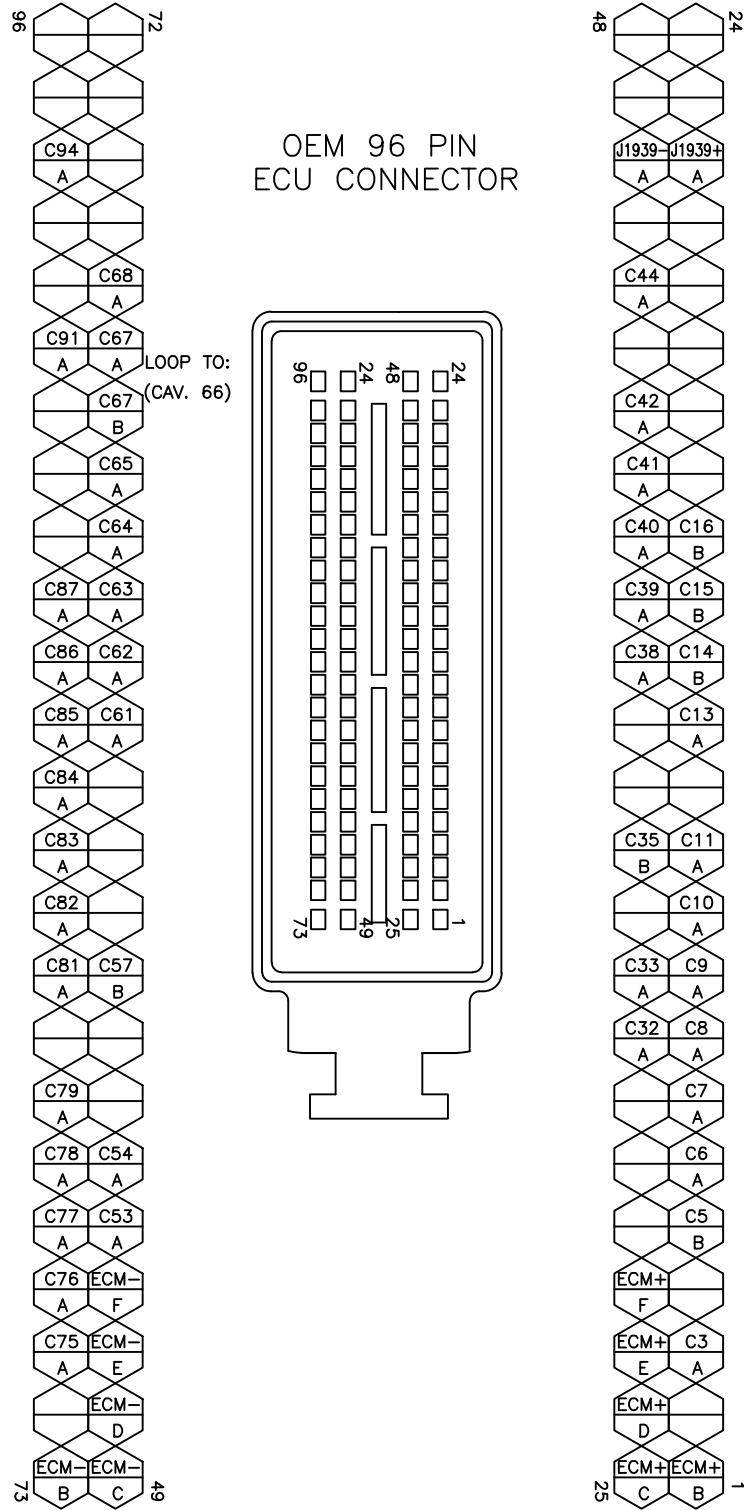
1871/SFO/VC/W

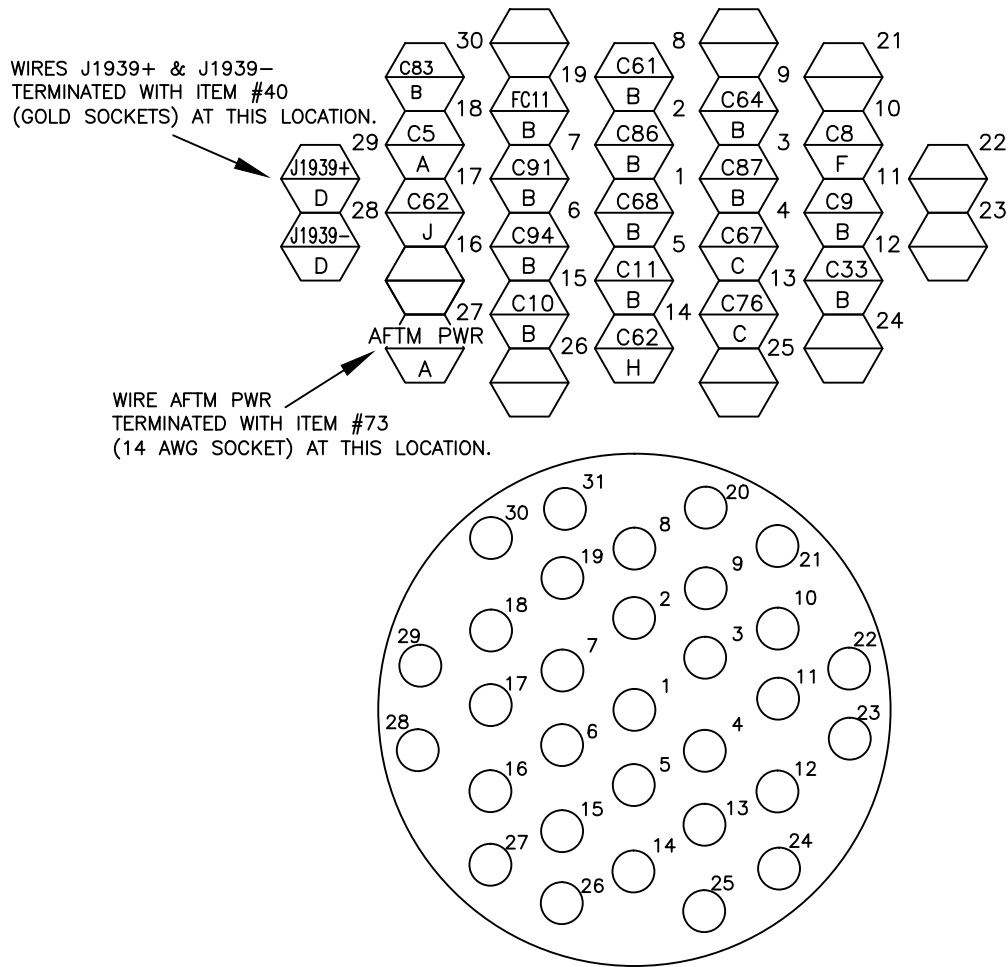


SPECTR



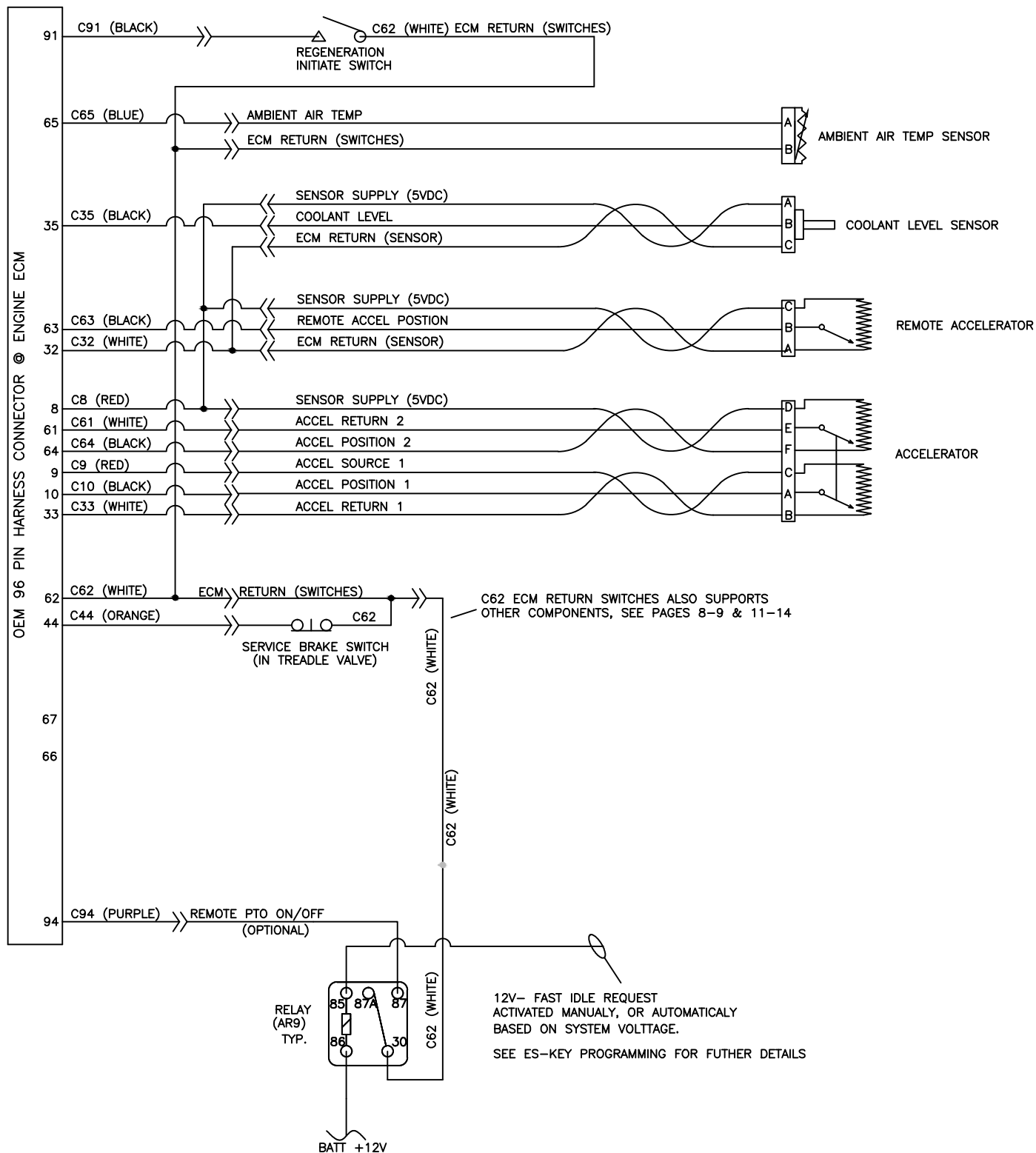
ATTACHED TO MAIN FUSE/RELAY PANEL





ENGINE HARNESS CAB CONNECTOR (BEHIND LEFT FRONT HEADLIGHT BUCKET)

MULTIPLEXED



NON MULTIPLEXED

