

THIS DRAWING IS AN OVERALL REPRESENTATION OF THE APPARATUS AS PROPOSED.

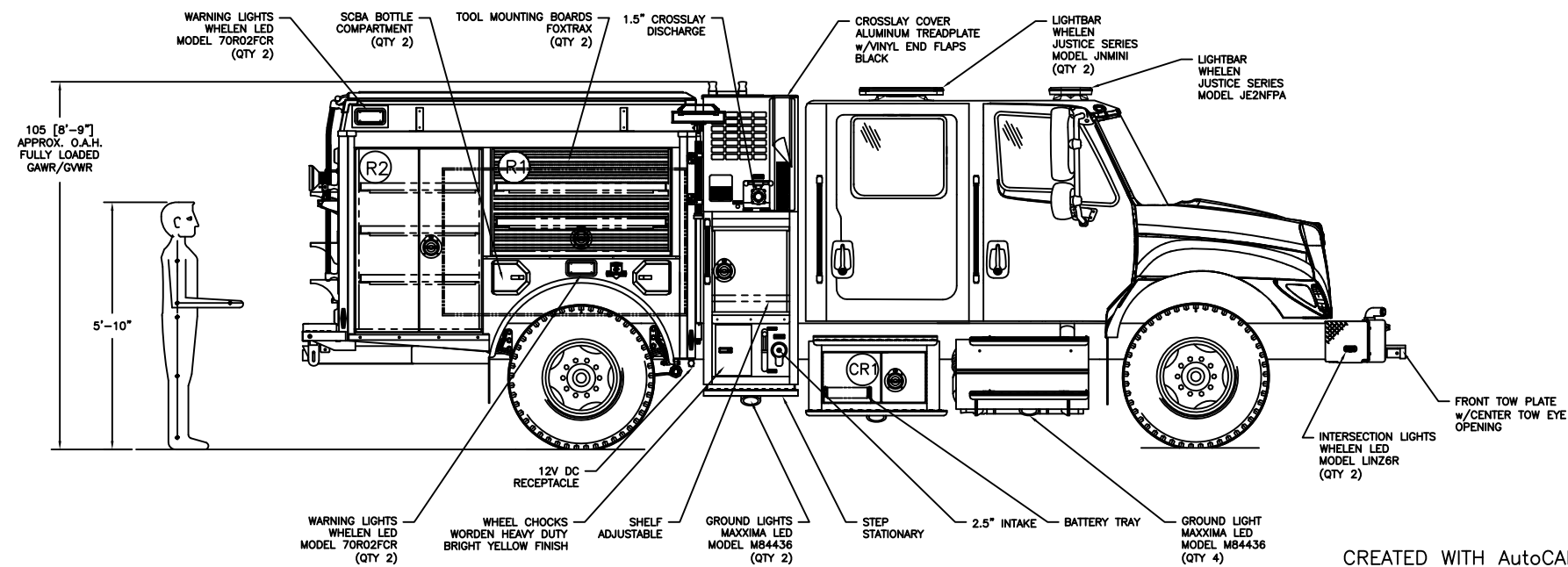
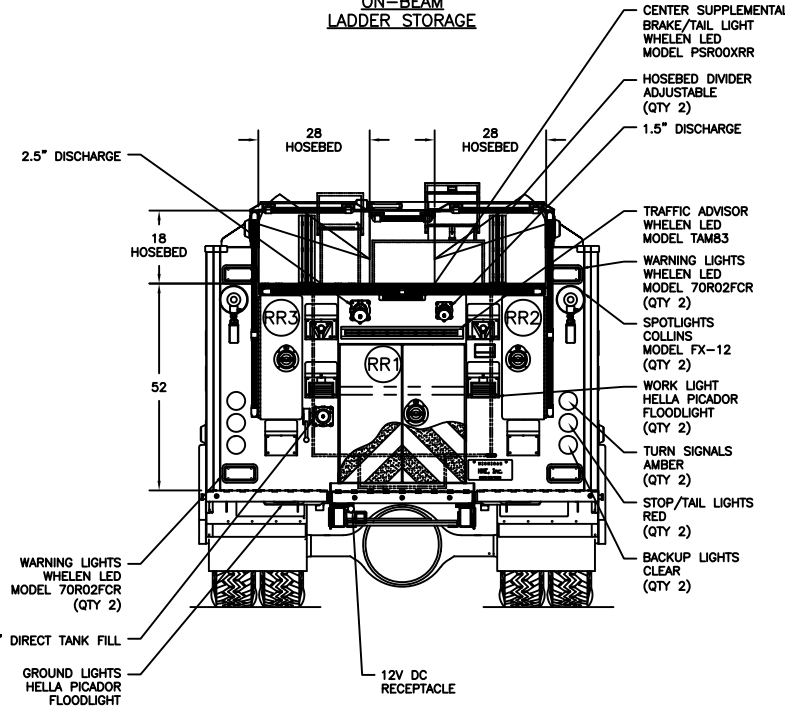
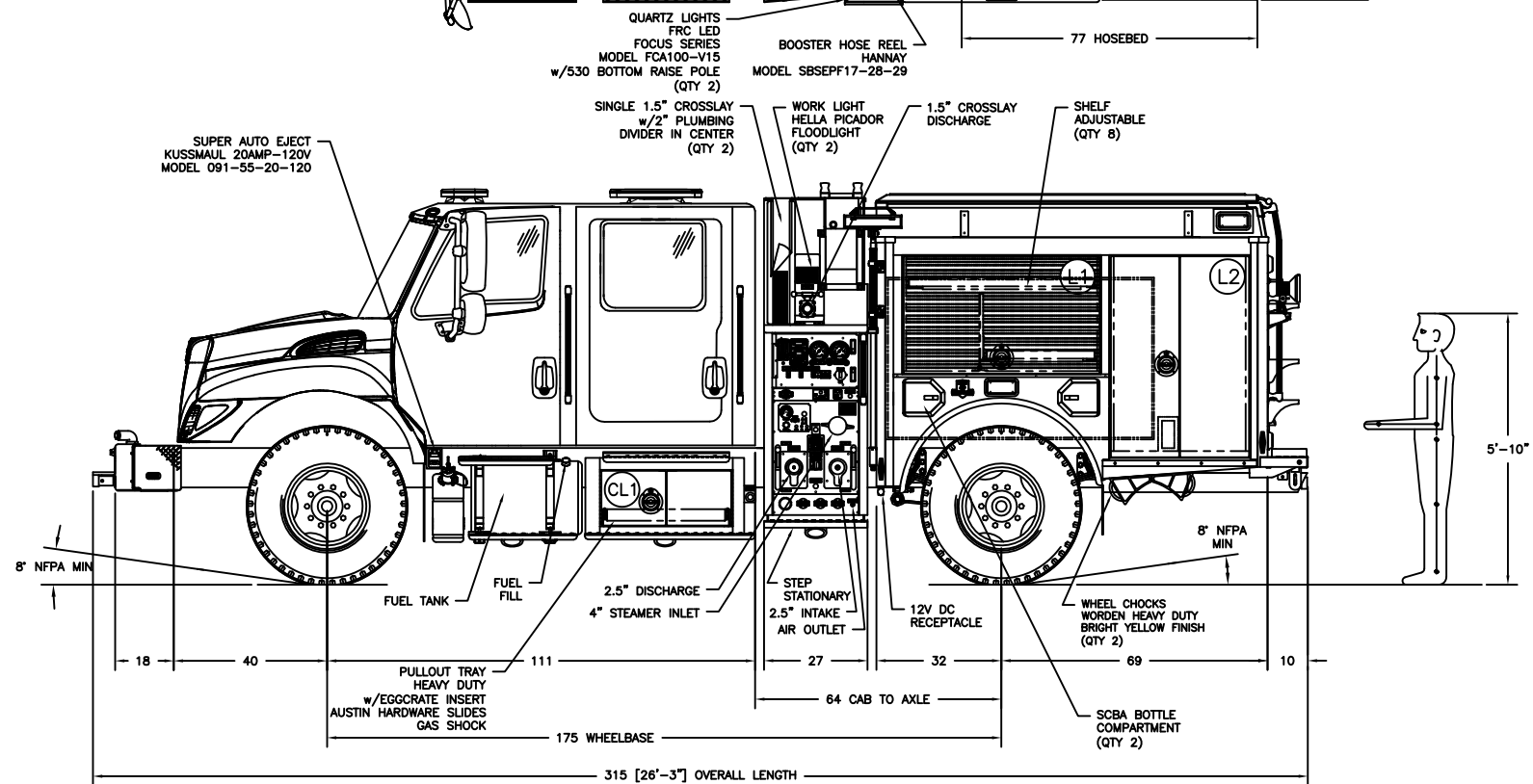
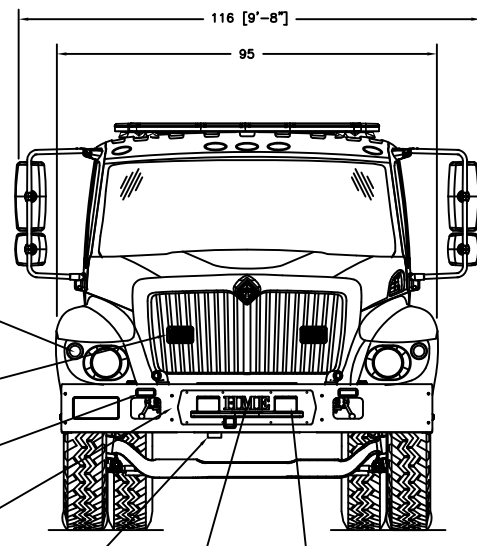
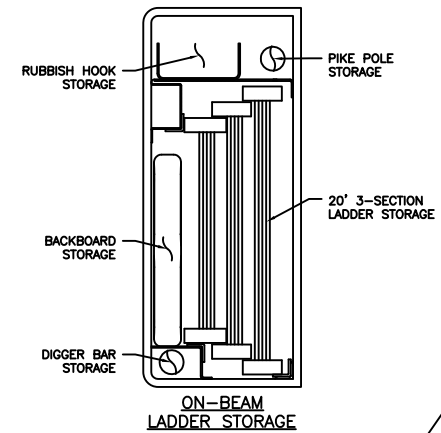
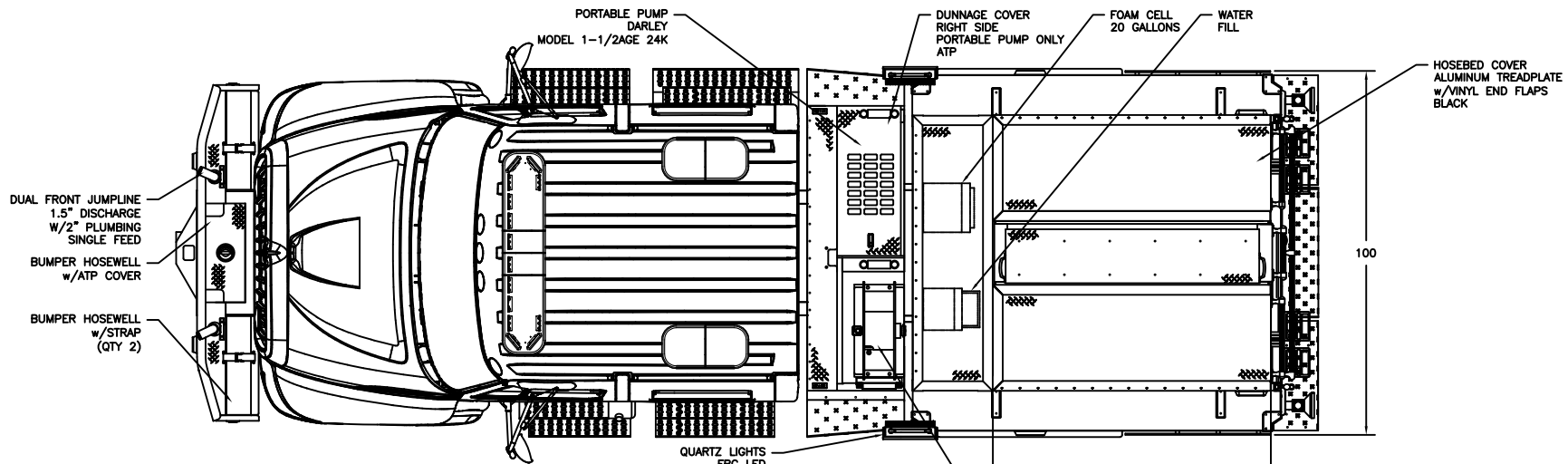
THE EXACT LOCATIONS OF ACCESSORIES OR COMPONENTS MAY BE REVISED PENDING COMPLETE ENGINEERING REVIEW OF THE OPTION CONTENT OF THE ORDER.

IF THERE IS A DISCREPANCY BETWEEN THE BODYBUILDER PRINT AND THE WRITTEN PROPOSAL; THE SPECIFICATIONS WITHIN THE PROPOSAL PREVAIL.

This drawing along with any changes made and initialed by both the "Fire Department" & HME, Inc. represents what will be constructed and supplied to the "Fire Department." Any changes to the contract specifications and drawing after today's date will be addressed via appropriate change order signed and approved by both the "Fire Department" & HME, Inc.

APPROVED BY: _____ TITLE: _____
 FIRE DEPARTMENT

APPROVED BY: _____ TITLE: _____
 HME, Incorporated



COMPARTMENTATION						
COMPT.	BEHIND DOOR			CLEAR OPENING		COMPT. VOLUME
	WIDTH	HEIGHT	DEPTH	DOOR WIDTH	DOOR HEIGHT	
L1:	51.5"	36.5"	11"	49.5"	32"	11.9 FT ³
L2: UPPER	36"	38"	11"	34"	53"	8.7 FT ³
L2: LOWER	36"	17"	23"	34"	53"	8.1 FT ³
CL1:	41"	16.5"	21.5"	34.5"	13.5"	8.4 FT ³
R1:	51.5"	36.5"	11"	49.5"	32"	11.9 FT ³
R2: UPPER	36"	38"	11"	34"	53"	8.7 FT ³
R2: LOWER	36"	17"	23"	34"	53"	8.1 FT ³
CR1:	37"	13"	22.5"	31"	10"	6.2 FT ³
RR1:	48"	48.5"	26.5"	30"	32"	35.7 FT ³

LET	BY	DATE	REVISION
F	DM	08 SEP '17	RETURN TO STOCK
E	AWL	19 JAN '17	CLEAN ORDER RELEASE
D	AWL	31 OCT '16	CHANGE NOTICE
C	PLS	7 OCT '16	CHANGE NOTICE
B	PLS	12 SEP '16	REVISED FUEL/AIR TANK LOCATIONS
A	AWL	5 JUL '16	ORIGINAL RELEASE

HME INCORPORATED
 1950 BYRON CENTER AVE.
 WYOMING, MI. 49519

THIS PRINT IS PROVIDED ON A RESTRICTED BASIS AND IS NOT TO BE USED IN ANY WAY DETRIMENTAL TO THE INTERESTS OF HME, INC.

NAME
HME MODEL 34D STOCK

DRAWN	DATE	APPROVED	DRAWING FILE
A. LIPINSKI	14 JUN '16	N/A	22928 - GRATON, CA FIRE DEPT 4X2.DWG
THIRD ANGLE PROJECTION	SIZE	NUMBER	SCALE
	B	22928	NTS
			SHEET 1 OF 1

CREATED WITH AutoCAD®