

THIS DRAWING IS AN OVERALL REPRESENTATION OF THE APPARATUS AS PROPOSED.

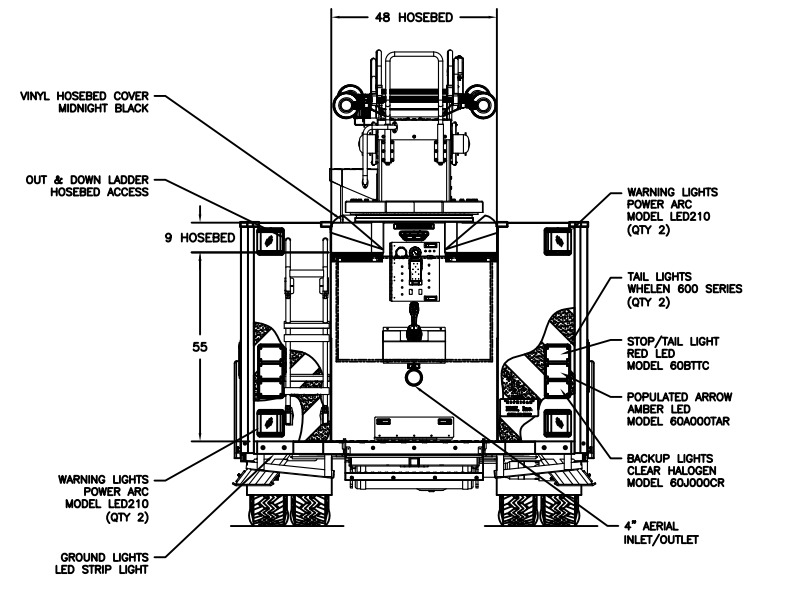
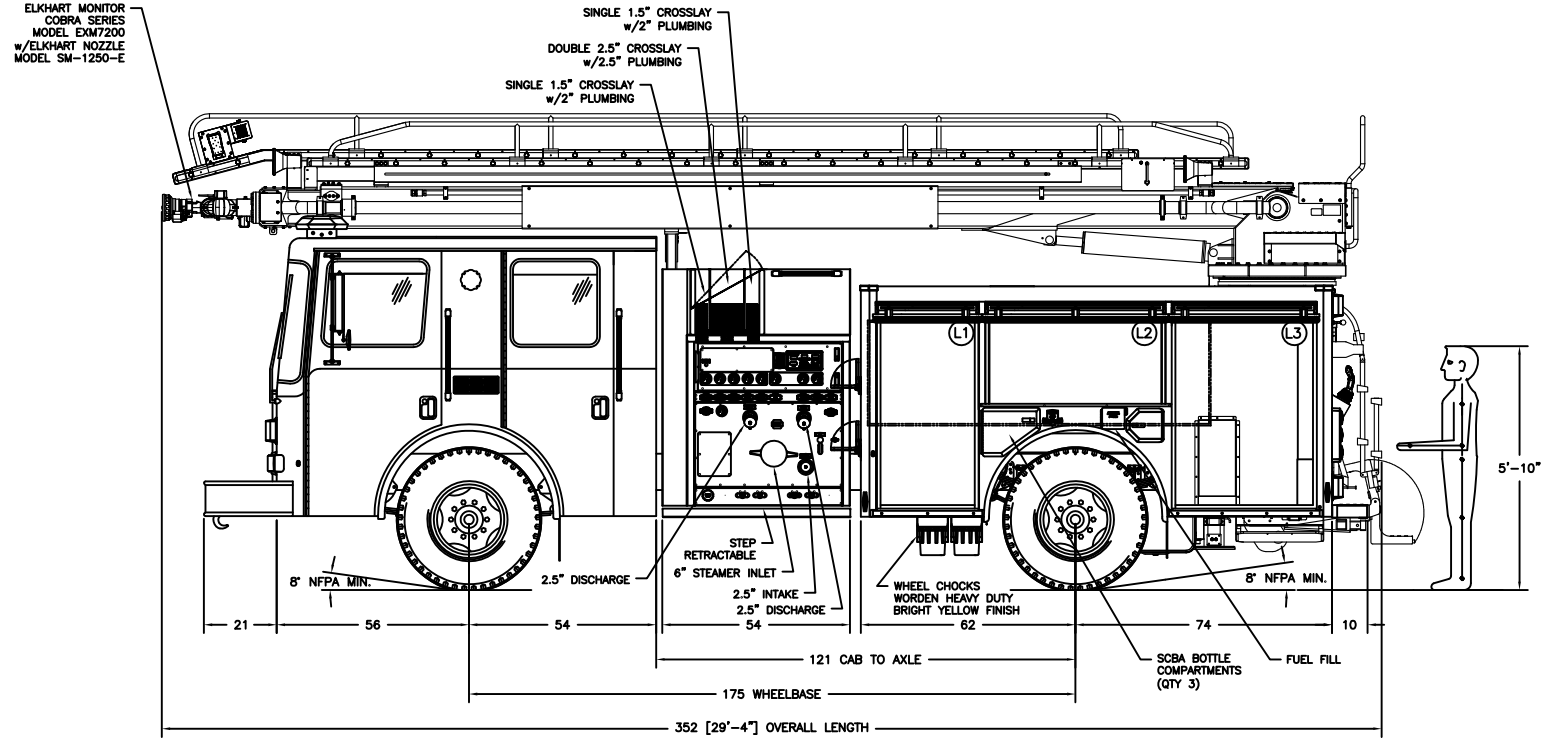
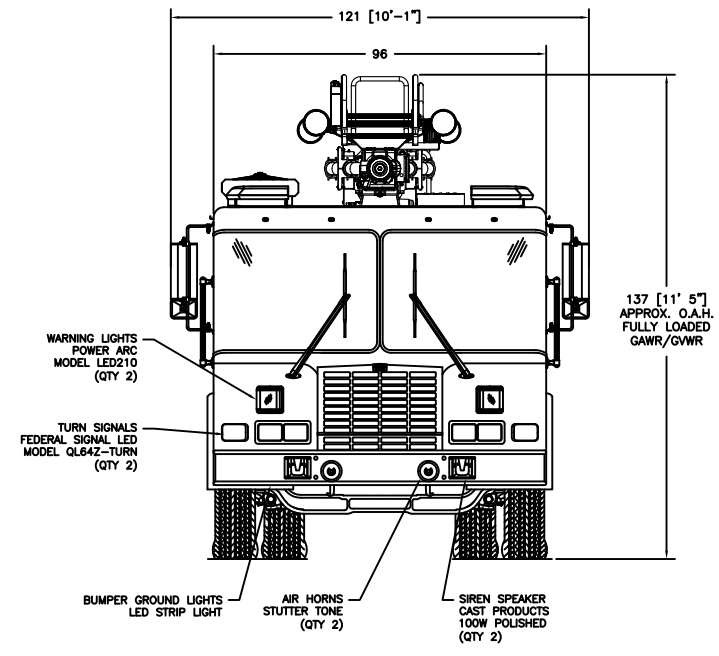
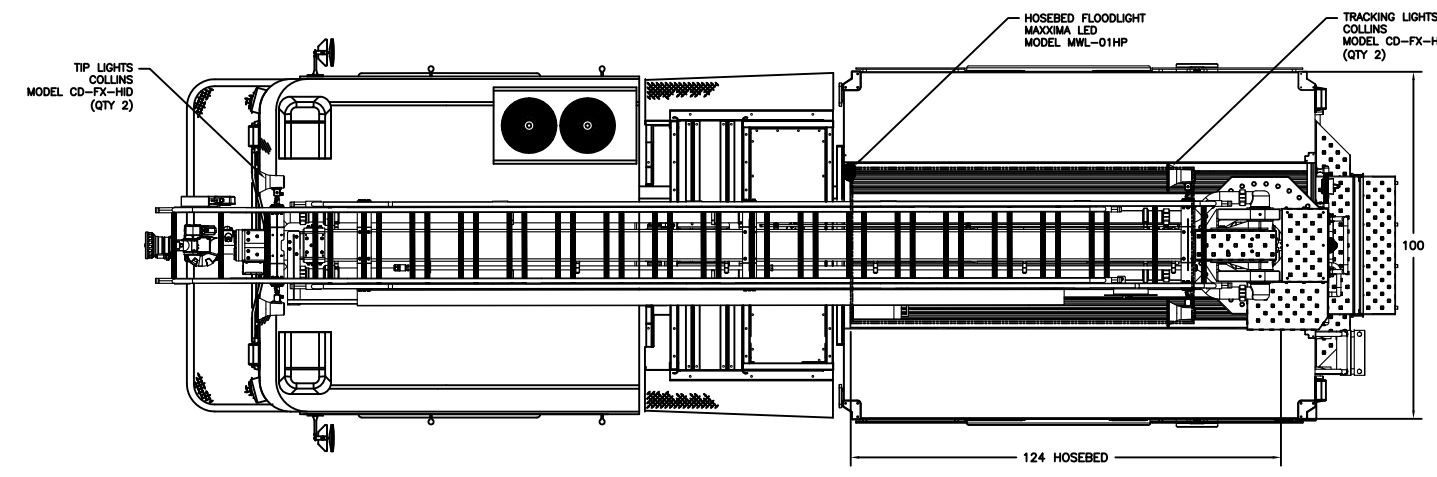
THE EXACT LOCATIONS OF ACCESSORIES OR COMPONENTS MAY BE REVISED PENDING COMPLETE ENGINEERING REVIEW OF THE OPTION CONTENT OF THE ORDER.

IF THERE IS A DISCREPANCY BETWEEN THE BODYBUILDER PRINT AND THE WRITTEN PROPOSAL; THE SPECIFICATIONS WITHIN THE PROPOSAL PREVAIL.

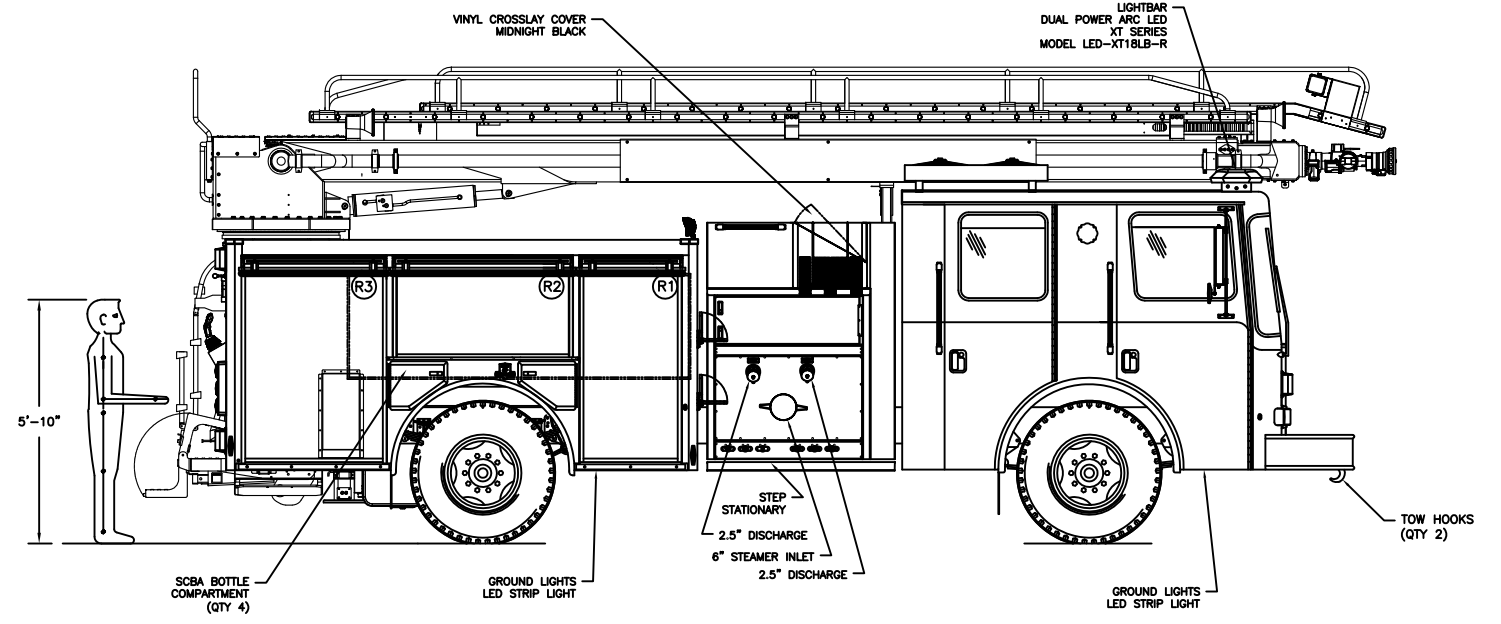
This drawing along with any changes made and initialed by both the "Fire Department" & HME, Inc. represents what will be constructed and supplied to the "Fire Department." Any changes to the contract specifications and drawing after today's date will be addressed via appropriate change order signed and approved by both the "Fire Department" & HME, Inc.

APPROVED BY: _____ TITLE: _____
 FIRE DEPARTMENT

APPROVED BY: _____ TITLE: _____
 HME, Incorporated



COMPARTMENTATION						
COMPT.	BEHIND DOOR			CLEAR OPENING		COMPT. VOLUME
	WIDTH	HEIGHT	DEPTH	DOOR WIDTH	DOOR HEIGHT	
L1:	36"	63"	24"	27"	53"	31.5 FT ³
L2:	52"	33"	24"	49"	23"	23.8 FT ³
L3:	43"	63"	24"	39"	53"	37.6 FT ³
R1:	36"	63"	24"	27"	53"	31.5 FT ³
R2:	35"	33"	24"	33"	23"	16.0 FT ³
R3:	43"	63"	24"	39"	53"	37.6 FT ³



C	AWL	18 JUL '17	CHANGE ORDER
B	AWL	25 APR '17	CLEAN ORDER RELEASE
A	PLS	6 JAN '17	ORIGINAL RELEASE
LET	BY	DATE	REVISION

HME INCORPORATED 1950 BYRON CENTER AVE. WYOMING, MI. 49509

THIS PRINT IS PROVIDED ON A RESTRICTED BASIS AND IS NOT TO BE USED IN ANY WAY DETRIMENTAL TO THE INTERESTS OF HME, INC.

NAME: **HME HAF51T STOCK**

DRAWN P. SWAGER	DATE 4 JAN '17	APPROVED N/A	DRAWING FILE 22954-HME HAF51T STOCK.dwg
THIRD ANGLE PROJECTION	SIZE B	NUMBER 22954	SCALE NTS
			SHEET 1 OF 1

CREATED WITH AutoCAD®