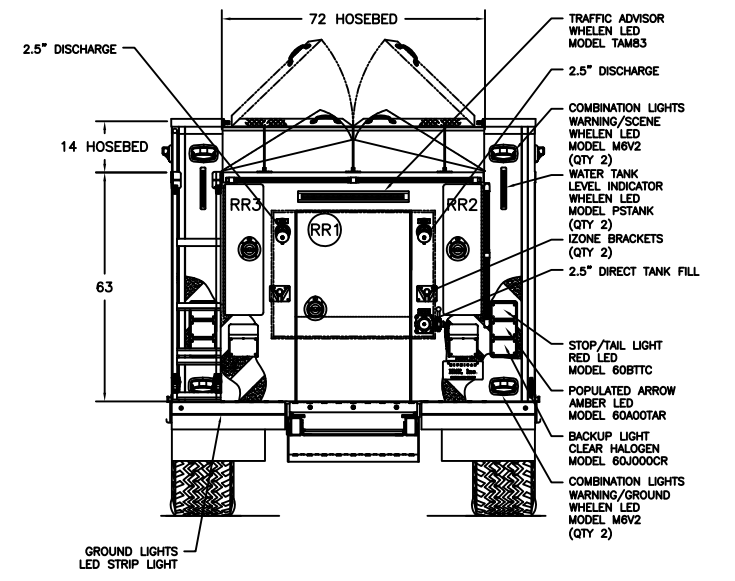
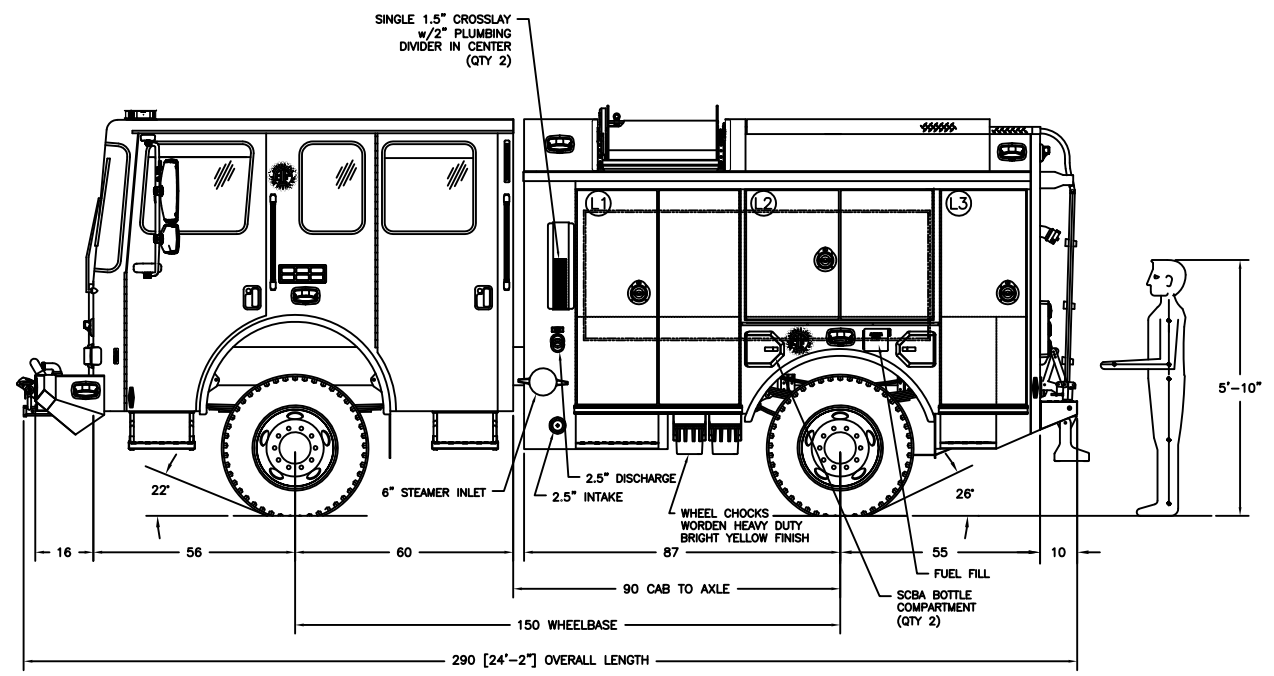
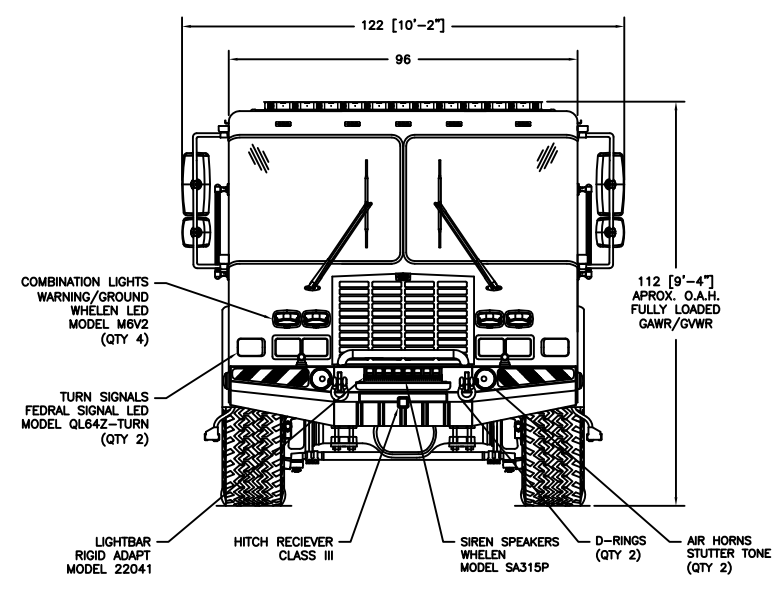
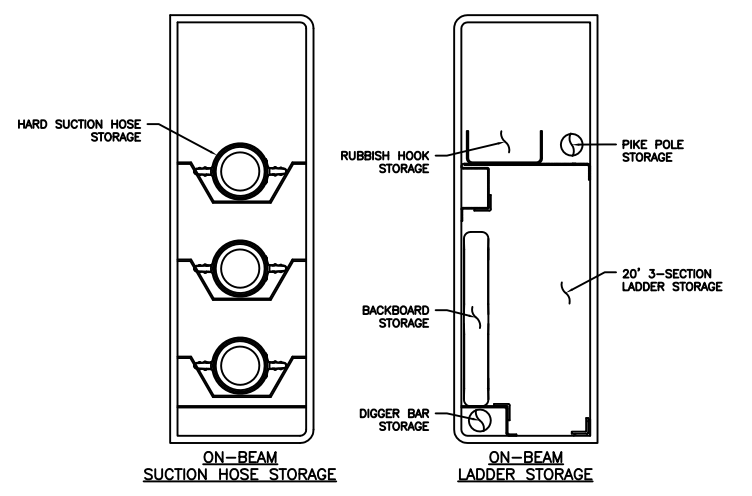
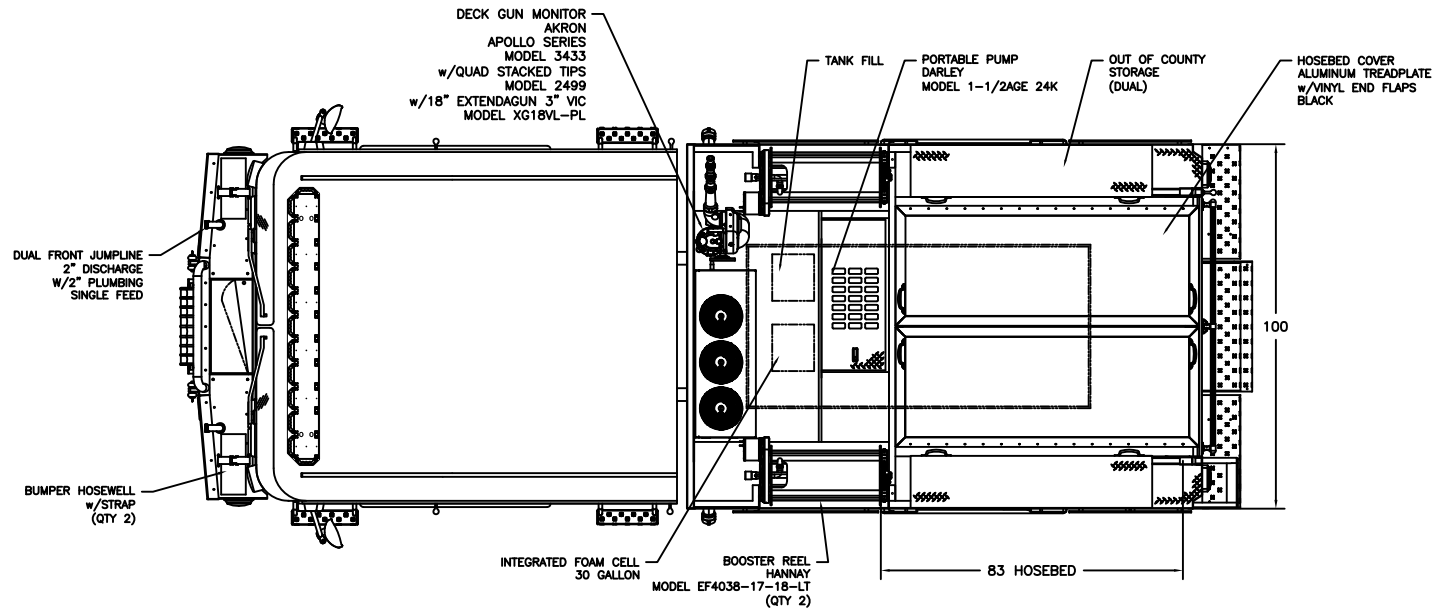


THIS DRAWING IS AN OVERALL REPRESENTATION OF THE APPARATUS AS PROPOSED.
 THE EXACT DIMENSIONS, LOCATIONS OF ACCESSORIES AND/OR COMPONENTS MAY BE REVISED PENDING COMPLETE ENGINEERING OF THE CUSTOM REQUIREMENTS OF THE INDIVIDUAL APPARATUS ORDER.
 IF THERE IS A DISCREPANCY BETWEEN THE BODYBUILDER PRINT AND THE WRITTEN PROPOSAL, THE SPECIFICATIONS WITHIN THE PROPOSAL PREVAIL.

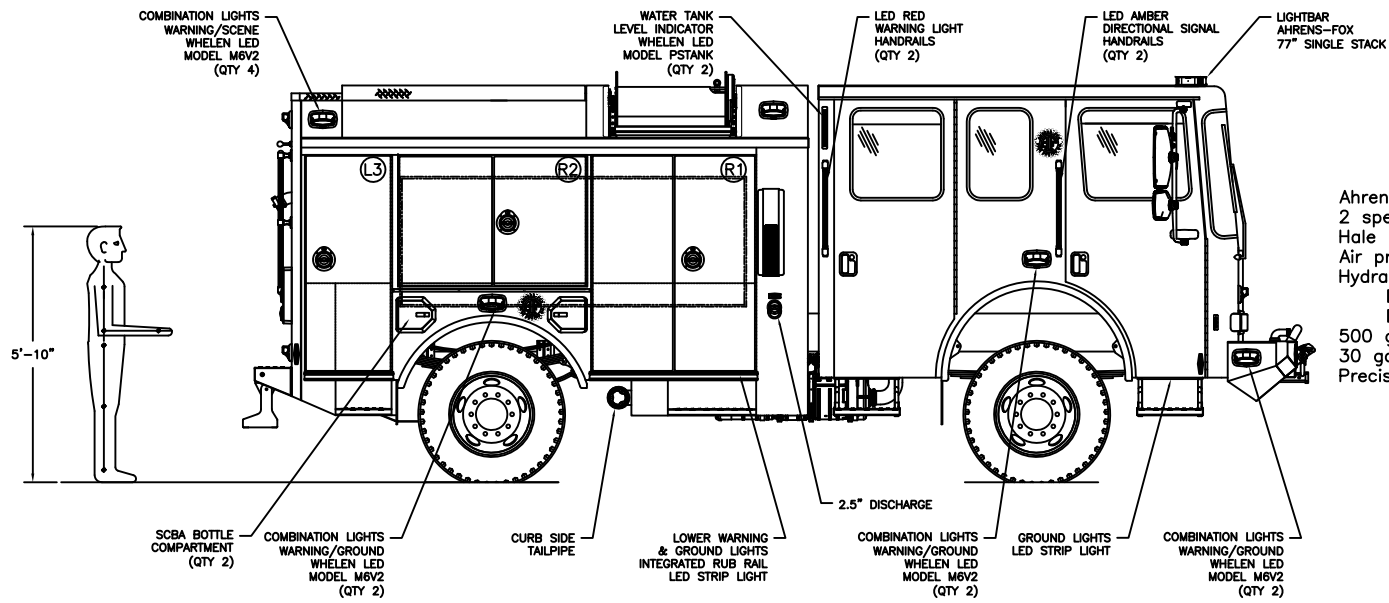
This drawing along with any changes made and initiated by both the "Fire Department" & HME, Inc. represents what will be constructed and supplied to the "Fire Department." Any changes to the contract specifications and drawing after today's date will be addressed via appropriate change order signed and approved by both the "Fire Department" & HME, Inc.

APPROVED BY: _____ TITLE: _____
 FIRE DEPARTMENT

APPROVED BY: _____ TITLE: _____
 HME, Incorporated



COMPARTMENTATION						
COMPT.	BEHIND DOOR			CLEAR OPENING		COMPT. VOLUME
	WIDTH	HEIGHT	DEPTH	DOOR WIDTH	DOOR HEIGHT	
L1 UPPER:	48"	40"	12"	39"	57"	13.5 FT ³
L1 LOWER:	48"	22"	24"	39"	57"	15.0 FT ³
L2:	52"	40"	12"	49"	33"	14.6 FT ³
L3 UPPER:	24"	40"	12"	20"	57"	6.8 FT ³
L3 LOWER:	24"	22"	24"	20"	57"	7.6 FT ³
R1 UPPER:	48"	40"	12"	39"	57"	13.5 FT ³
R1 LOWER:	48"	22"	24"	39"	57"	15.0 FT ³
R2:	52"	40"	12"	49"	33"	14.6 FT ³
R3 UPPER:	24"	40"	12"	20"	57"	6.8 FT ³
R3 LOWER:	24"	22"	24"	20"	57"	7.6 FT ³
RR1 UPPER:	48"	36"	25"	32"	53"	25.0 FT ³
RR1 LOWER:	48"	25"	12"	32"	53"	8.3 FT ³
OUT CO. L:	67"	14"	12"	64"	11 1/2"	6.5 FT ³
OUT CO. R:	67"	14"	12"	64"	11 1/2"	6.5 FT ³
TOTAL:						161.3 FT ³



Ahrens-Fox AWD WUI Type III Chassis
 2 speed transfer case
 Hale RSD-1500 single-stage pump
 Air primer
 Hydra Technology TM featuring:
 Digital distributed water discharges
 Digital remote pump controls
 500 gallon water
 30 gallon Class A foam
 Precision stainless steel apparatus body

LET	BY	DATE	REVISION
F	DM	15 MAR '19	CHANGE ORDER
E	DM	15 JAN '18	CLEAN ORDER RELEASE
D	PLS	7 NOV '17	WB WAS 149"; ADDED DECKGUN; UPDATE DISCH
C	PLS	22 JUN '17	ADJUSTED COMPARTMENT SIZES
B	PLS	5 JUN '17	WHEELBASE WAS 147", LIGHTING CHANGES
A	PLS	3 MAR '17	ORIGINAL RELEASE

BY HME, INCORPORATED
 1950 BYRON CENTER AVE.
 WYOMING, MI. 49519

THIS PRINT IS PROVIDED ON A RESTRICTED BASIS AND IS NOT TO BE USED IN ANY WAY DETRIMENTAL TO THE INTERESTS OF HME, INC.

NAME Ahrens-Fox AWD WUI			
DRAWN P. SWAGER	DATE 3 MAR '17	APPROVED N/A	DRAWING FILE 23044 - Ahrens-Fox AWD WUI.dwg
THIRD ANGLE PROJECTION	SIZE B	NUMBER 23044	SCALE NTS
			SHEET 1 OF 1

CREATED WITH AutoCAD®