



MiniEvo™ (22K GVWR)

#23249

SMART. TOUGH. DRIVEN.



Chassis

- Ford F-550 Super Duty Crew Cab XLT 4x4 4-Door Chassis
- 22,000 GVWR
- PowerStroke 330 HP 6.7I V-8 OHV Turbo Diesel Engine
- 6-Speed Electronic TorqShift Automatic Transmission
- Buckstop Front Bumper
- Seating – Crew of Five (5)
- Wheelbase – 203"

Pump

- 24" Side Mount Pump Enclosure
- Hale DSD 1500 GPM Pump
- FRC Turbo Foam 2-6 DIR INJ 2.6 Class A Foam System
- 300 Gallon Water Tank
- 15 Gallon Foam Tank
- Dual 1-1/2" Double Stack Crosslays

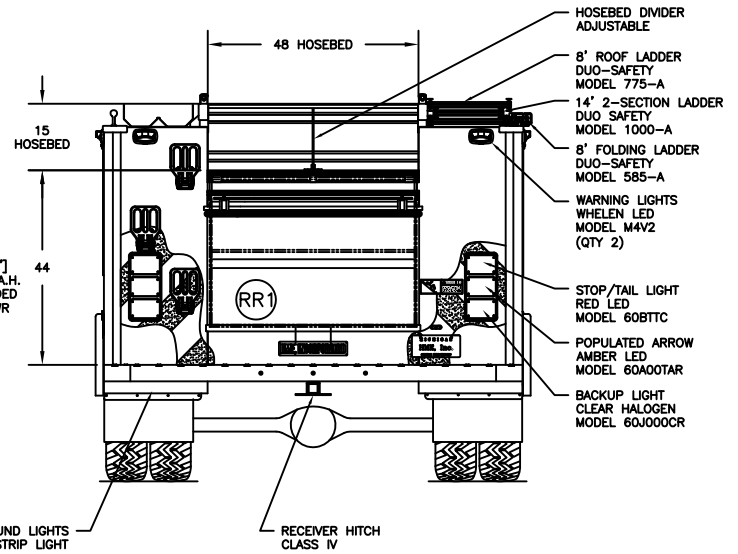
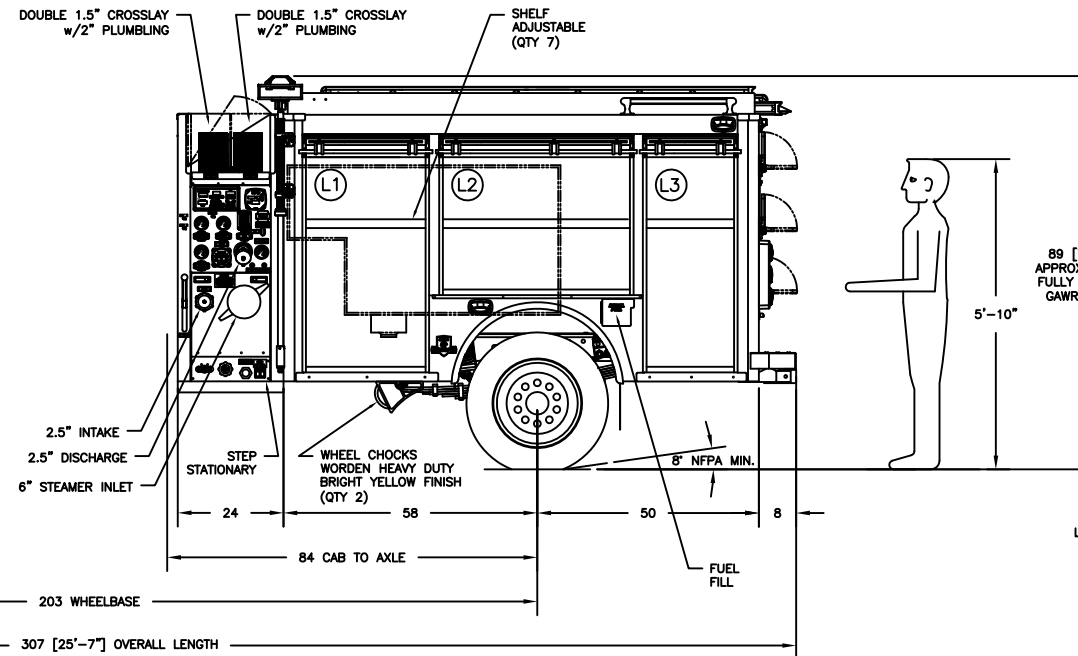
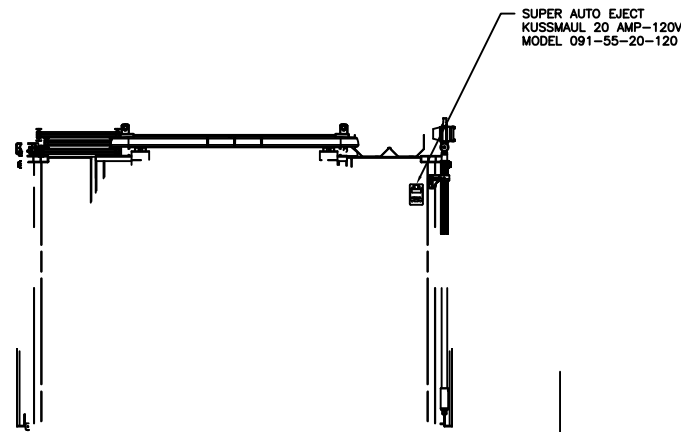
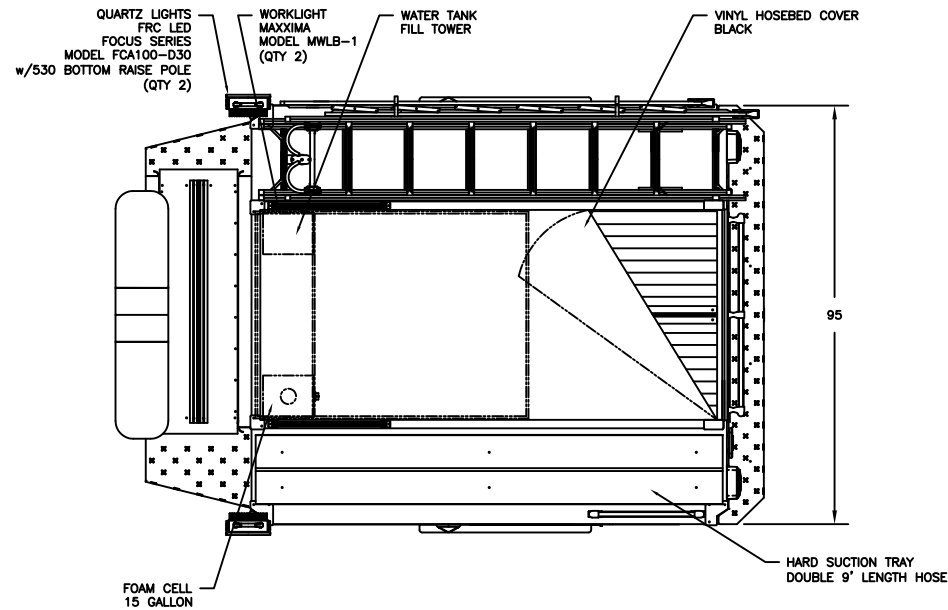
Body & Options

- R/S Compartment Top Ladder Storage
- Painted Roll-up Doors
- Whelen Ultimate Warning Light Package
- Whelen LED
- Stop/Tail/Turn/Backup Lighting
- Whelen LED Traffic Advisor

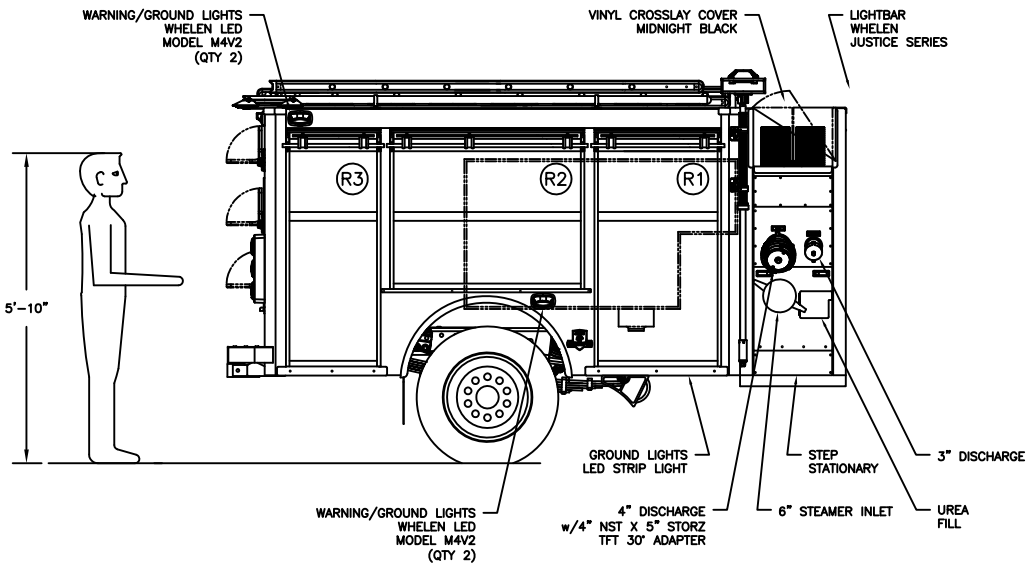


THIS DRAWING IS AN OVERALL REPRESENTATION OF THE APPARATUS AS PROPOSED.
 THE EXACT DIMENSIONS, LOCATIONS OF ACCESSORIES AND/OR COMPONENTS MAY BE REVISED PENDING COMPLETE ENGINEERING OF THE CUSTOM REQUIREMENTS OF THE INDIVIDUAL APPARATUS ORDER.
 IF THERE IS A DISCREPANCY BETWEEN THE BODYBUILDER PRINT AND THE WRITTEN PROPOSAL, THE SPECIFICATIONS WITHIN THE PROPOSAL PREVAIL.

This drawing along with any changes made and initiated by b



COMPARTMENTATION						
COMP.	BEHIND DOOR		CLEAR OPENING		DOOR	COMPT. VOLUME
	WIDTH	HEIGHT	DEPTH	WIDTH	HEIGHT	
L1:	35 1/2"	57"	22"	26 1/2"	49 1/2"	25.0 FT ³
L2:	44"	40"	22"	42"	34 1/2"	22.0 FT ³
L3:	23 1/2"	57"	22"	19"	49 1/2"	17.0 FT ³
R1:	35 1/2"	57"	22"	26 1/2"	49 1/2"	25.0 FT ³
R2:	44"	40"	22"	42"	34 1/2"	22.0 FT ³
R3:	23 1/2"	57"	22"	19"	49 1/2"	17.0 FT ³
RR1:	48"	33 1/2"	42"	45 1/2"	24"	39.1 FT ³



A	DM	2 AUG '18	ORIGINAL RELEASE
LET	BY	DATE	REVISION
		1950 BYRON CENTER AVE. WYOMING, MI. 49519	
THIS PRINT IS PROVIDED ON A RESTRICTED BASIS AND IS NOT TO BE USED IN ANY WAY DETRIMENTAL TO THE INTERESTS OF HME, INC.			
NAME HME FORD MINIEVO			
DRAWN D. MEAD	DATE 30 JUL '18	APPROVED N/A	DRAWING FILE 23249 - HME FORD MINIEVO.DWG
THIRD ANGLE PROJECTION	SIZE B	NUMBER 23249	SCALE NTS SHEET 1 OF 1

CREATED WITH AutoCAD®