

THIS DRAWING IS AN OVERALL REPRESENTATION OF THE APPARATUS AS PROPOSED.

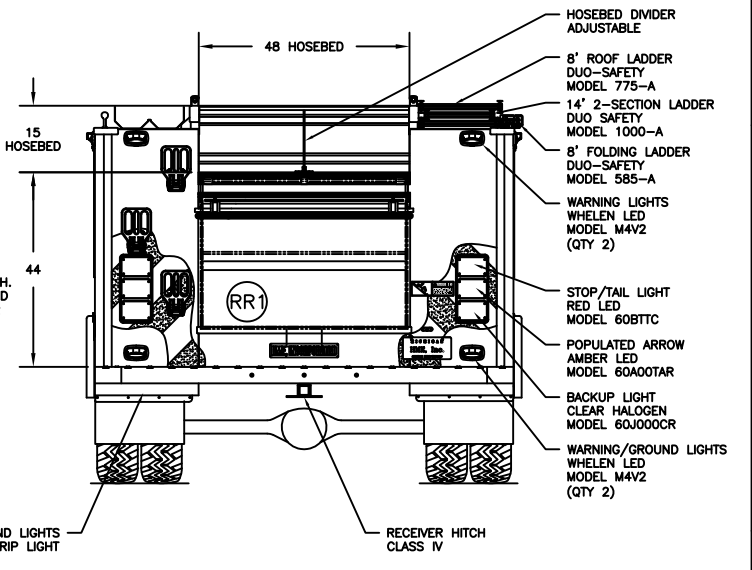
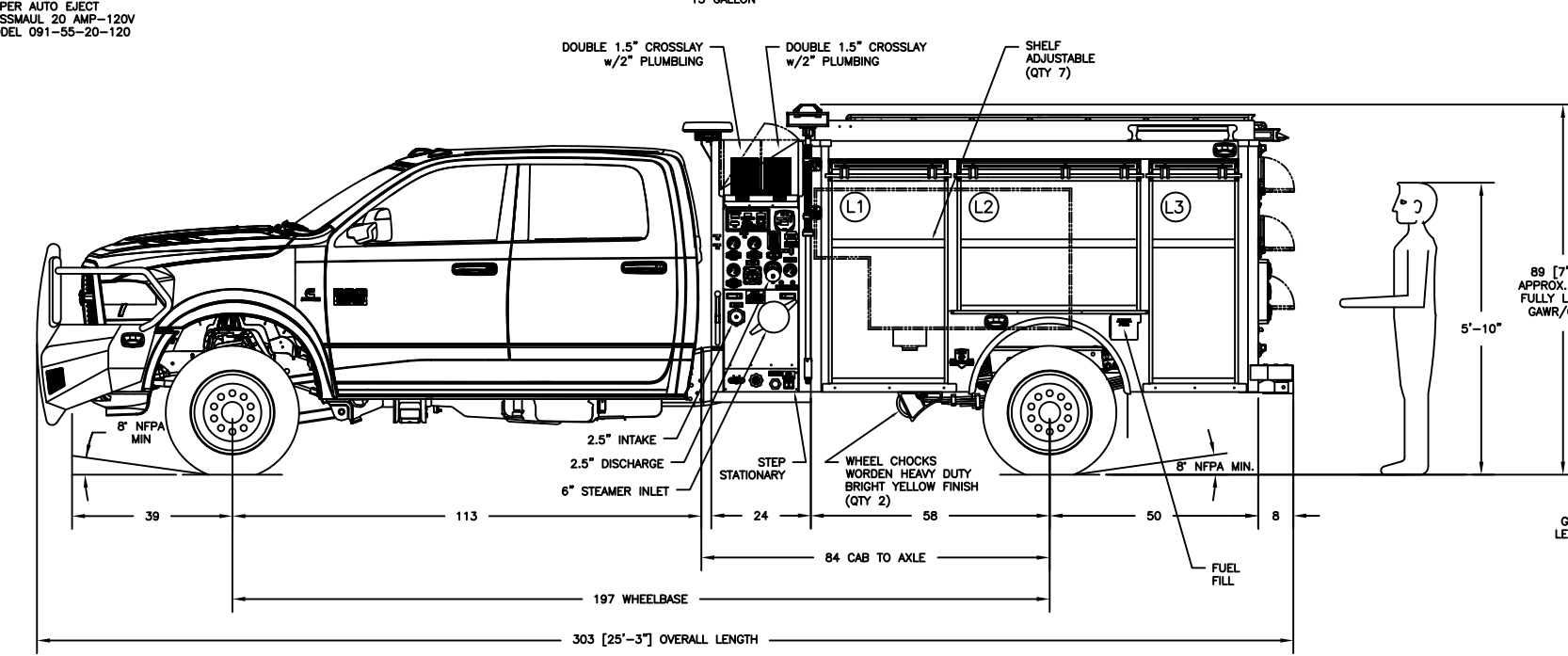
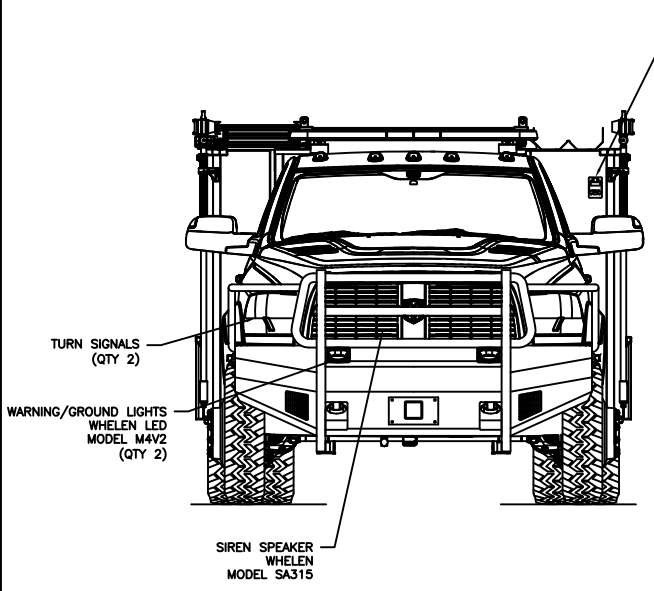
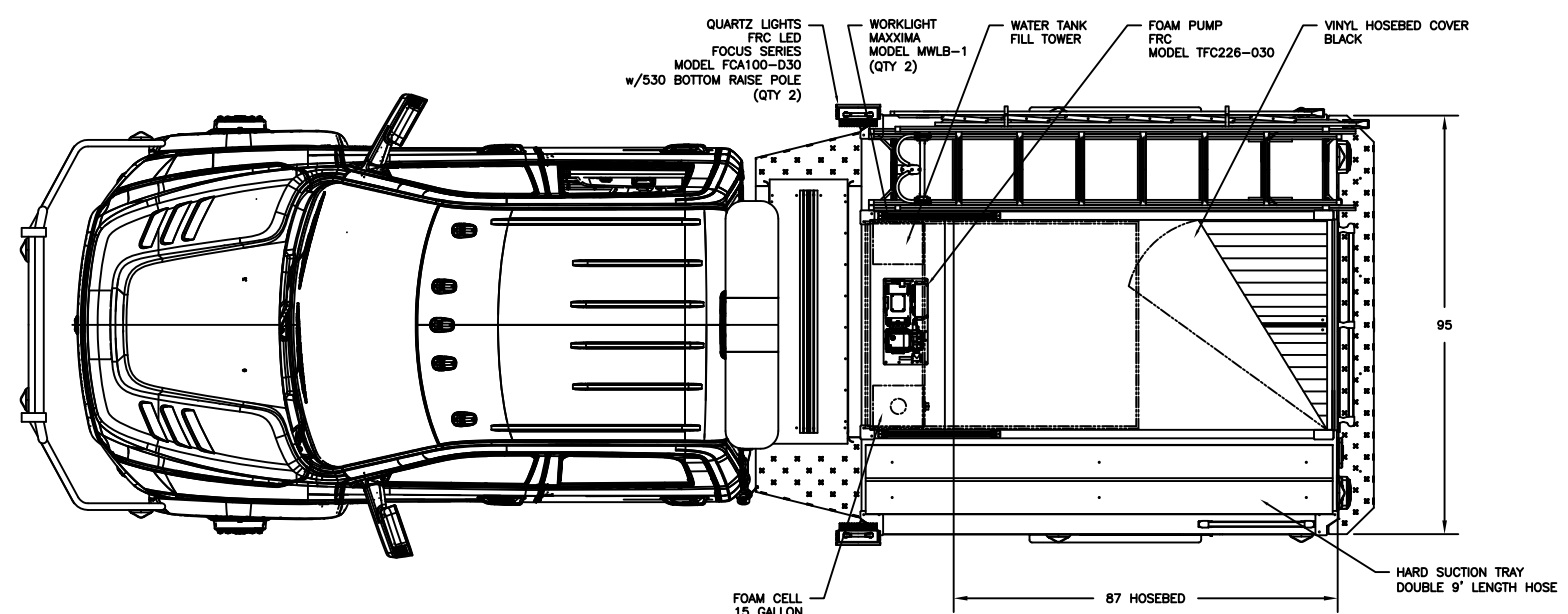
THE EXACT DIMENSIONS, LOCATIONS OF ACCESSORIES AND/OR COMPONENTS MAY BE REVISED PENDING COMPLETE ENGINEERING OF THE CUSTOM REQUIREMENTS OF THE INDIVIDUAL APPARATUS ORDER.

IF THERE IS A DISCREPANCY BETWEEN THE BODYBUILDER PRINT AND THE WRITTEN PROPOSAL; THE SPECIFICATIONS WITHIN THE PROPOSAL PREVAIL.

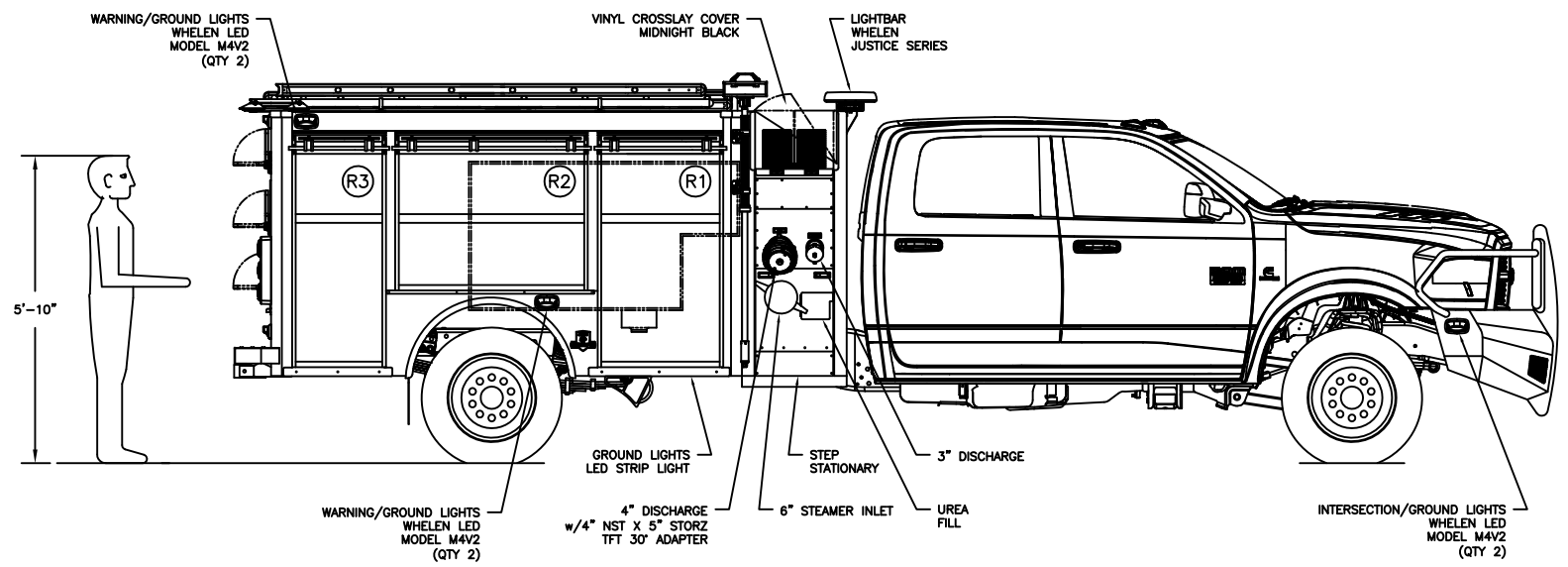
This drawing along with any changes made and initiated by both the "Fire Department" & HME, Inc. represents what will be constructed and supplied to the "Fire Department." Any changes to the contract specifications and drawing after today's date will be addressed via appropriate change order signed and approved by both the "Fire Department" & HME, Inc.

APPROVED BY: \_\_\_\_\_ TITLE: \_\_\_\_\_  
 FIRE DEPARTMENT

APPROVED BY: \_\_\_\_\_ TITLE: \_\_\_\_\_  
 HME, Incorporated



COMPARTMENTATION						
COMP.	BEHIND DOOR		CLEAR OPENING		DOOR	COMPT.
	WIDTH	HEIGHT	DEPTH	WIDTH	HEIGHT	VOLUME
L1:	35 1/2"	57"	22"	26 1/2"	49 1/2"	25.0 FT³
L2:	44"	40"	22"	42"	34 1/2"	22.0 FT³
L3:	23 1/2"	57"	22"	19"	49 1/2"	17.0 FT³
R1:	35 1/2"	57"	22"	26 1/2"	49 1/2"	25.0 FT³
R2:	44"	40"	22"	42"	34 1/2"	22.0 FT³
R3:	23 1/2"	57"	22"	19"	49 1/2"	17.0 FT³
RR1:	48"	33 1/2"	42"	45 1/2"	24"	39.1 FT³



A	DM	2 AUG '18	ORIGINAL RELEASE
LET	BY	DATE	REVISION
		1950 BYRON CENTER AVE. WYOMING, MI. 49519	
THIS PRINT IS PROVIDED ON A RESTRICTED BASIS AND IS NOT TO BE USED IN ANY WAY DETRIMENTAL TO THE INTERESTS OF HME, INC.			
NAME: HME RAM MINIEVO			
DRAWN D. MEAD	DATE 2 AUG '18	APPROVED N/A	DRAWING FILE 23251 - HME RAM MINIEVO.DWG
THIRD ANGLE PROJECTION	SIZE B	NUMBER 23251	SCALE NTS
			SHEET 1 OF 1

CREATED WITH AutoCAD®