

THIS DRAWING IS AN OVERALL REPRESENTATION OF THE APPARATUS AS PROPOSED.

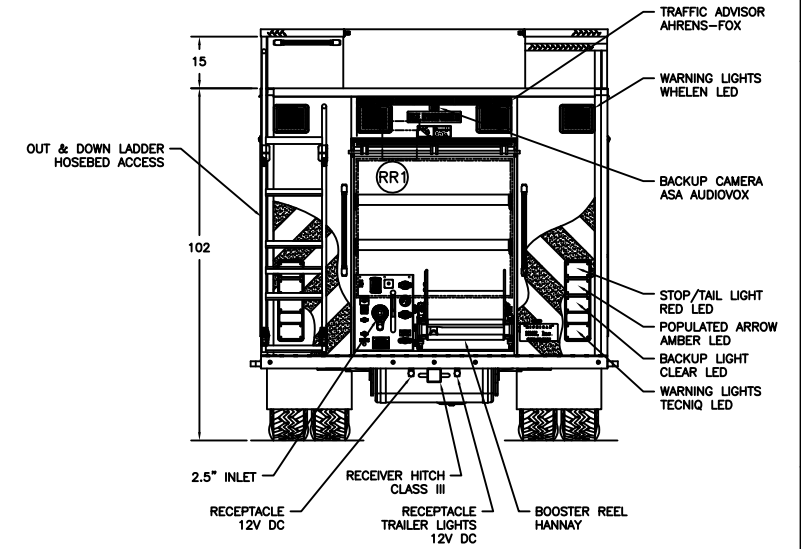
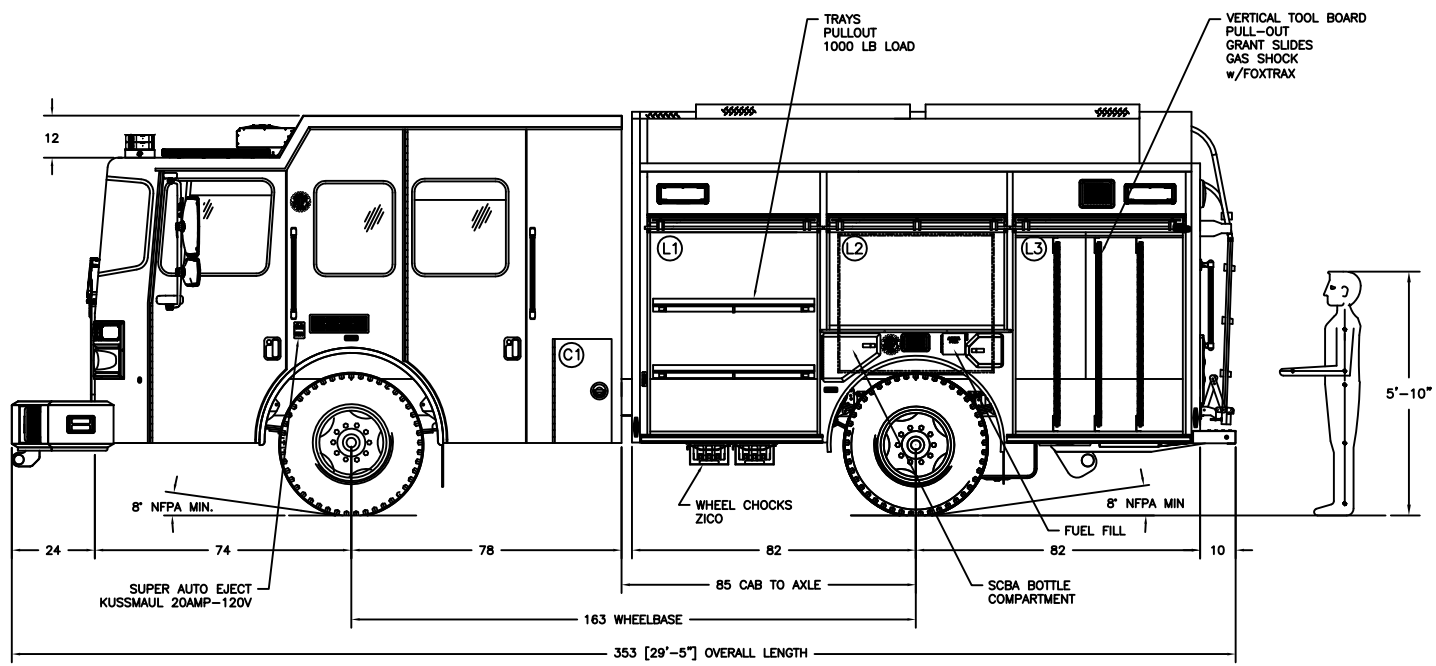
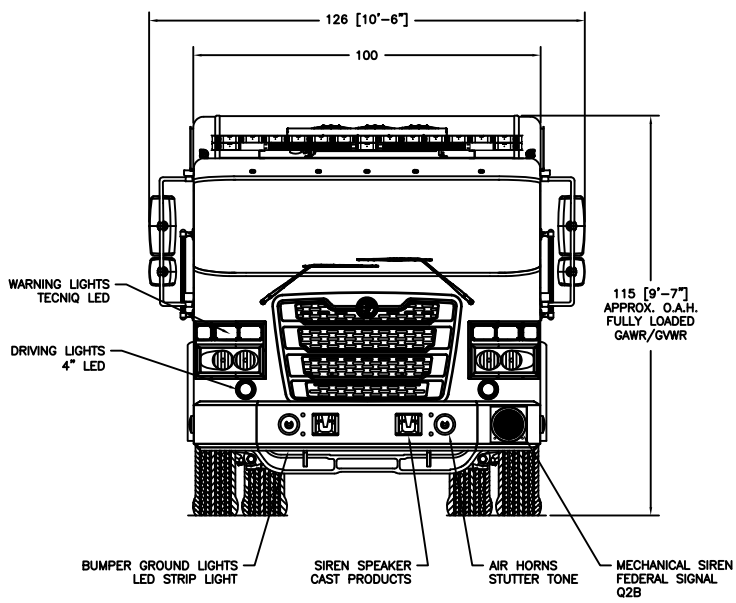
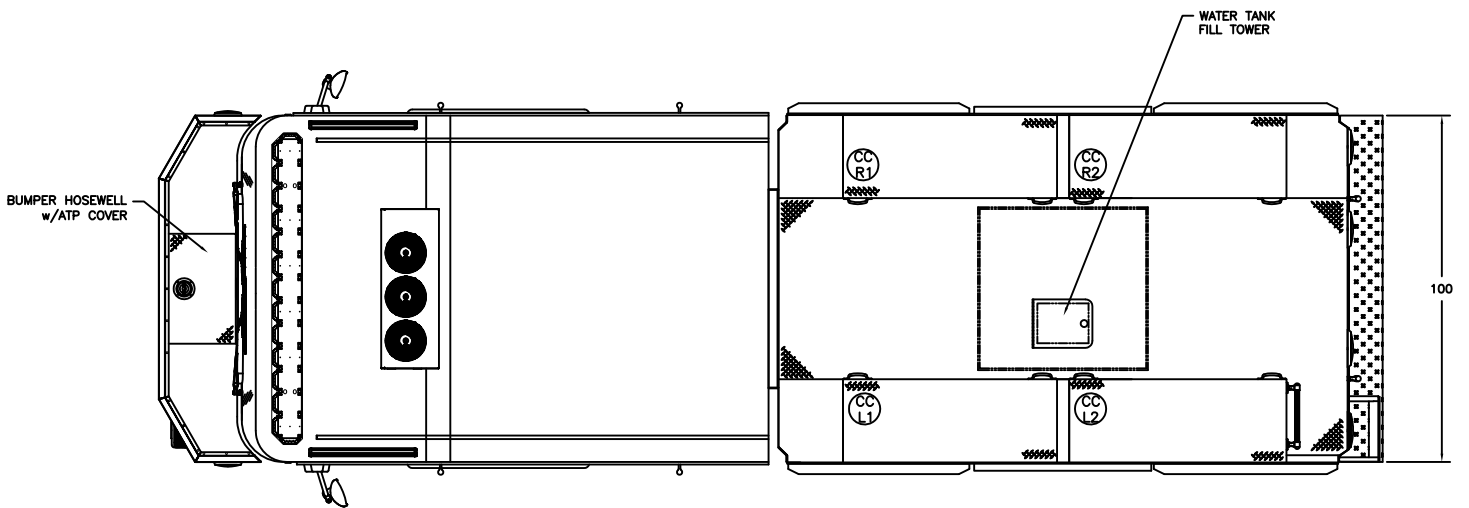
THE EXACT DIMENSIONS, LOCATIONS OF ACCESSORIES AND/OR COMPONENTS MAY BE REVISED PENDING COMPLETE ENGINEERING OF THE CUSTOM REQUIREMENTS OF THE INDIVIDUAL APPARATUS ORDER.

IF THERE IS A DISCREPANCY BETWEEN THE BODYBUILDER PRINT AND THE WRITTEN PROPOSAL; THE SPECIFICATIONS WITHIN THE PROPOSAL PREVAIL.

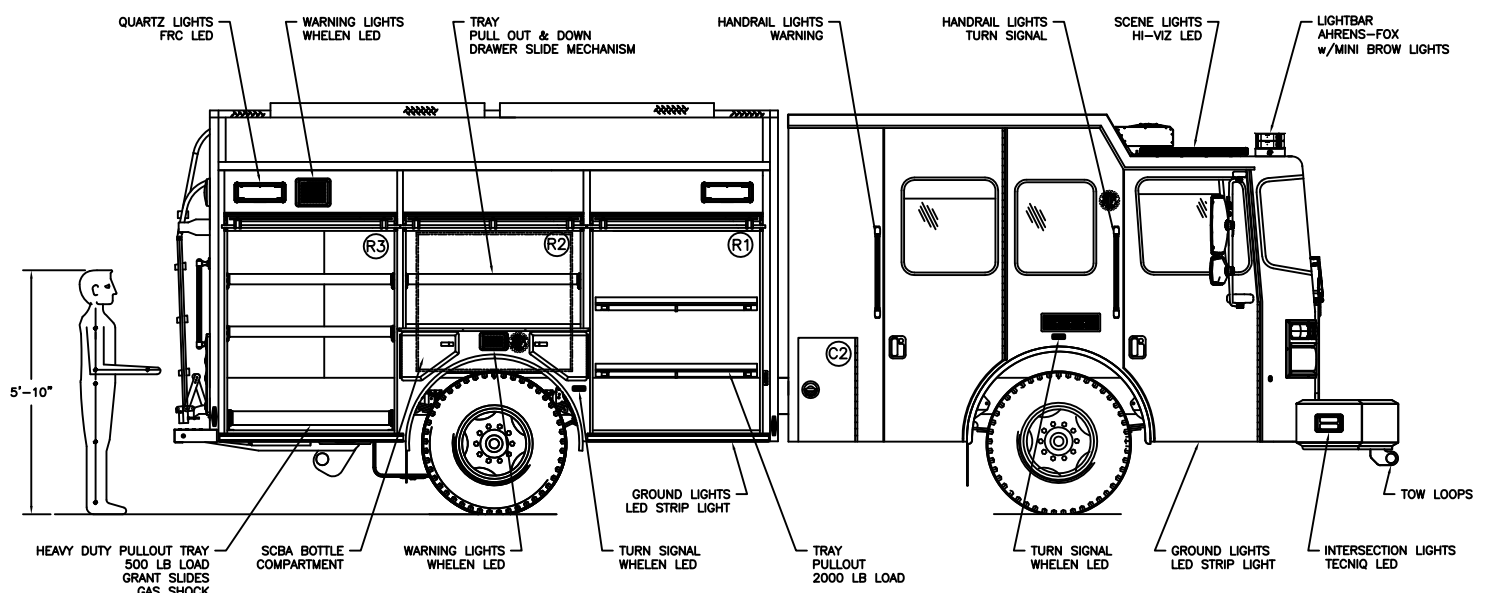
This drawing along with any changes made and Initialed by both the "Fire Department" & HME, Inc. represents what will be constructed and supplied to the "Fire Department." Any changes to the contract specifications and drawing after today's date will be addressed via appropriate change order signed and approved by both the "Fire Department" & HME, Inc.

APPROVED BY: _____ TITLE: _____
 FIRE DEPARTMENT

APPROVED BY: _____ TITLE: _____
 HME, Incorporated



COMPARTMENTATION						
COMPT.	BEHIND DOOR			CLEAR OPENING		COMPT. VOLUME
	WIDTH	HEIGHT	DEPTH	DOOR WIDTH	DOOR HEIGHT	
L1/R1 UPPER	56	60	97	48	57	188.6FT ³
L1 LOWER	56	17	24	48	57	13.2FT ³
R1 LOWER	56	17	24	48	57	13.2FT ³
L2	52	47	24	49	28	33.9FT ³
R2	52	47	24	49	28	33.9FT ³
L3/R3 MIDDLE	23	60	48	-	-	38.3FT ³
L3 OUTER	51	77	24	48	57	54.5FT ³
R3 OUTER	51	77	24	48	57	54.5FT ³
CCL1	128	20	24	61	23	36.4FT ³
CCL2				61	23	
CCR1	128	20	24	61	23	36.4FT ³
CCR2				61	23	
RR1	48	77	32	46	57	68.4FT ³



D	DM	DATE	REVISION
D	DM	07 MAR '19	CHANGE ORDER
C	DM	22 JAN '19	CLEAN ORDER RELEASE
B	DM	29 NOV '18	CHANGE ORDER
A	DM	20 AUG '18	ORIGINAL RELEASE
LET	BY	DATE	REVISION

THE AHRENS-FOX ENGINE COMPANY
 WYOMING, MICHIGAN

THIS PRINT IS PROVIDED ON A RESTRICTED BASIS AND IS NOT TO BE USED IN ANY WAY DETRIMENTAL TO THE INTERESTS OF HME, INC.

NAME
HME AF1 HET RESCUE

DRAWN	DATE	APPROVED	DRAWING FILE
D. MEAD	17 AUG '18	N/A	23257 - HME AF1 HET RESCUE.DWG
THIRD ANGLE PROJECTION	SIZE	NUMBER	SCALE
	B	23257	NTS
			SHEET 1 OF 1