

THIS DRAWING IS AN OVERALL REPRESENTATION OF THE APPARATUS AS PROPOSED.

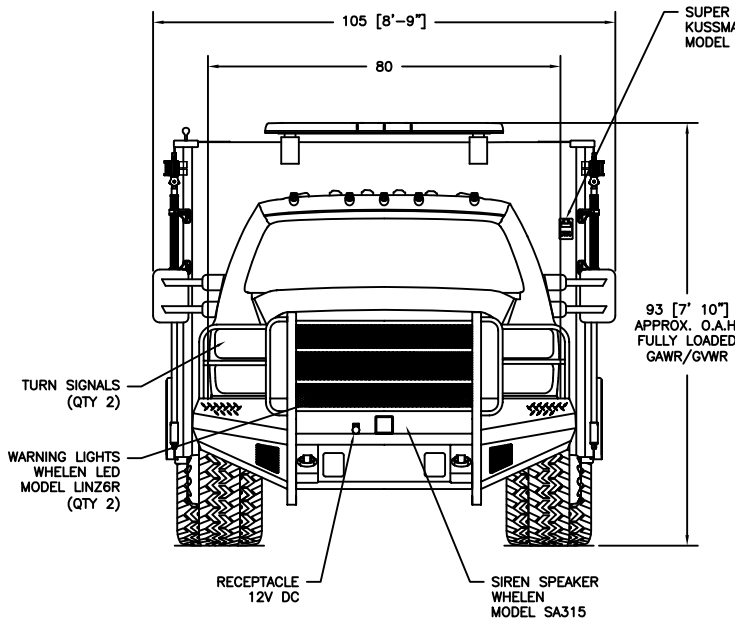
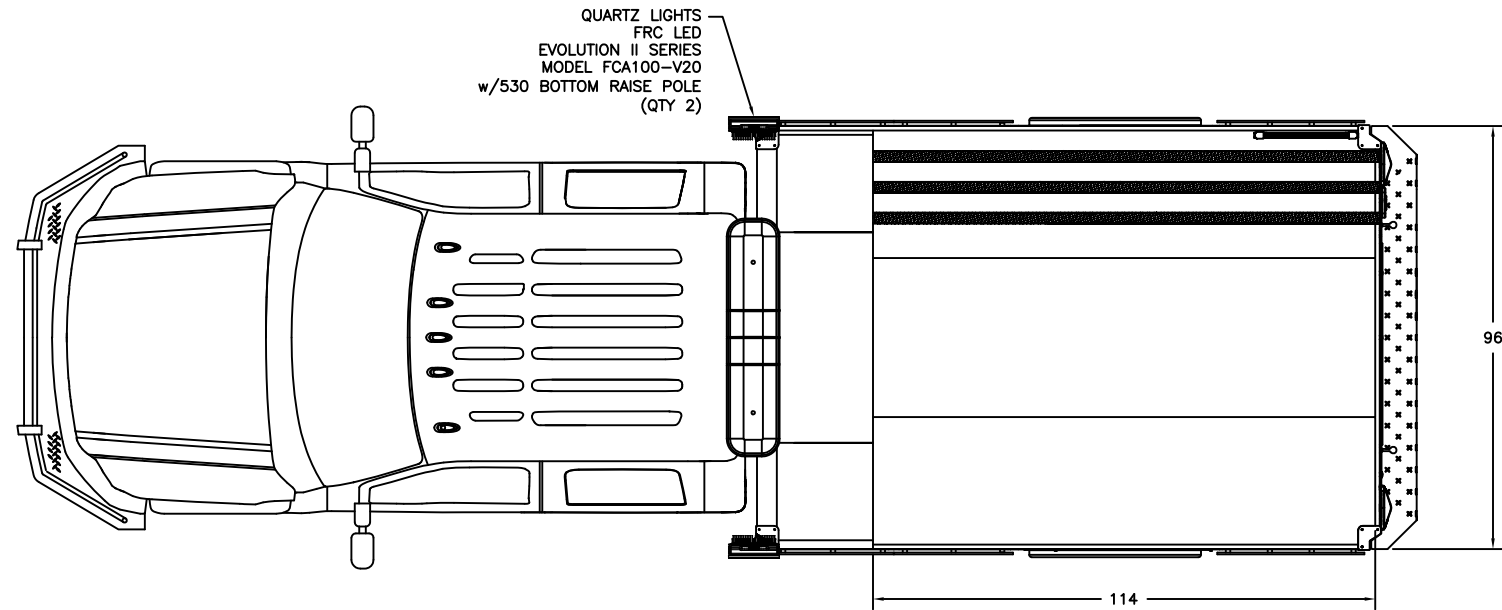
THE EXACT DIMENSIONS, LOCATIONS OF ACCESSORIES AND/OR COMPONENTS MAY BE REVISED PENDING COMPLETE ENGINEERING OF THE CUSTOM REQUIREMENTS OF THE INDIVIDUAL APPARATUS ORDER.

IF THERE IS A DISCREPANCY BETWEEN THE BODYBUILDER PRINT AND THE WRITTEN PROPOSAL, THE SPECIFICATIONS WITHIN THE PROPOSAL PREVAIL.

This drawing along with any changes made and initialed by both the "Fire Department" & HME, Inc. represents what will be constructed and supplied to the "Fire Department." Any changes to the contract specifications and drawing after today's date will be addressed via appropriate change order signed and approved by both the "Fire Department" & HME, Inc.

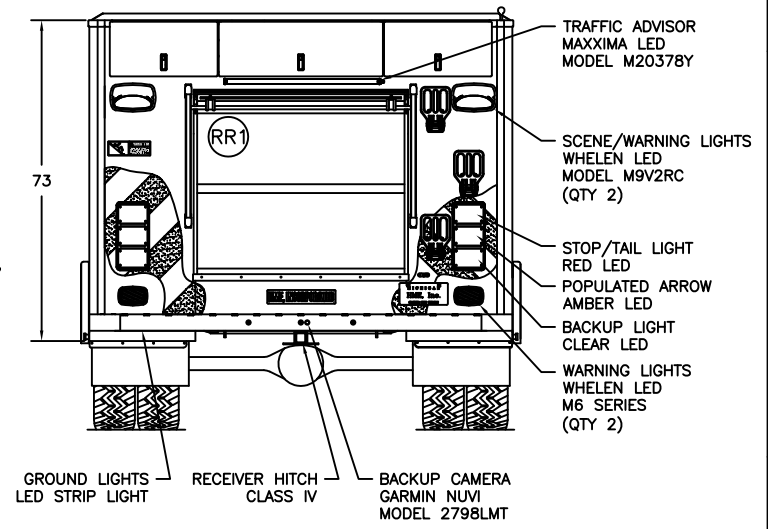
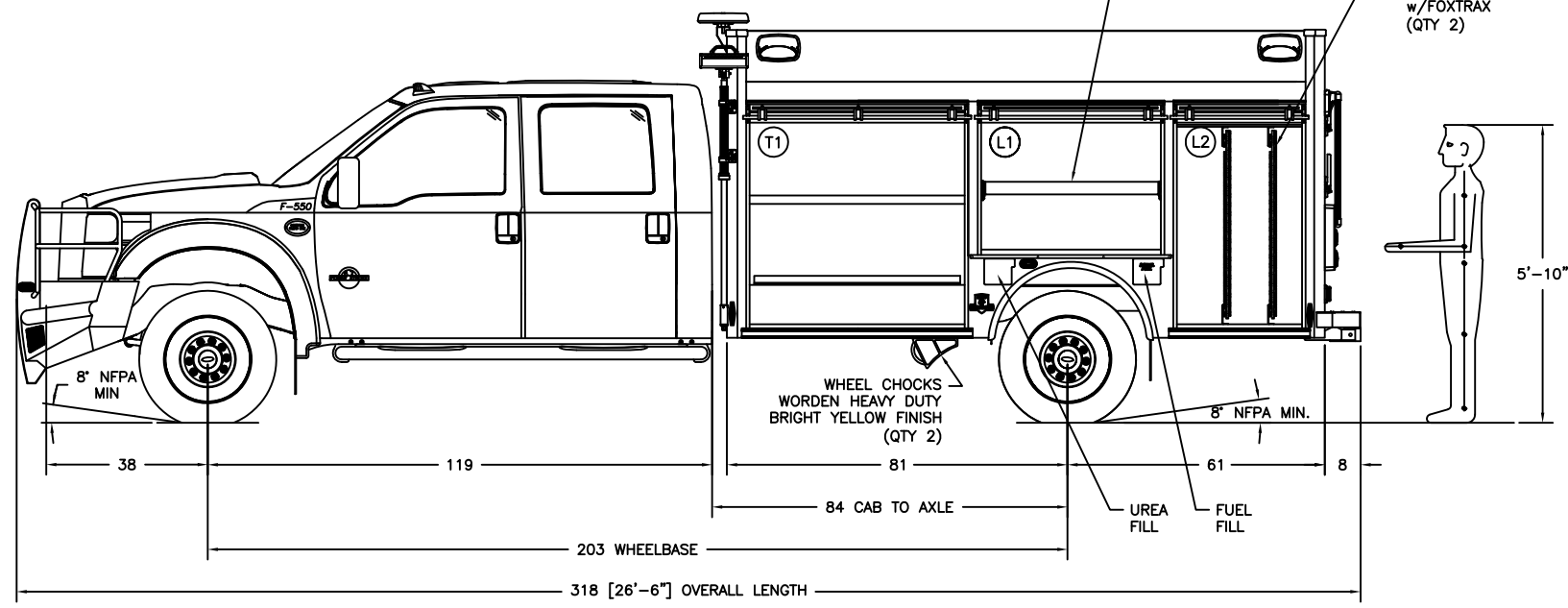
APPROVED BY: _____ TITLE: FIRE DEPARTMENT

APPROVED BY: _____ TITLE: HME, Incorporated

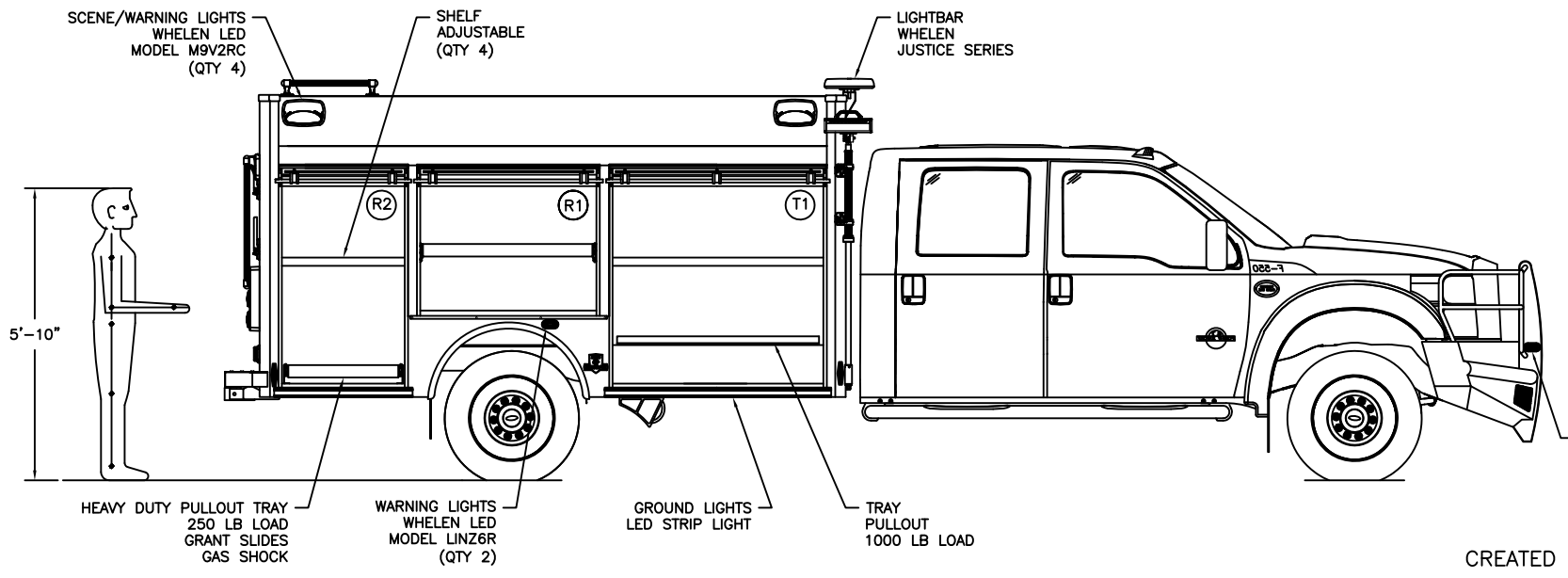


SUPER AUTO EJECT
KUSSMAUL 20 AMP-120V
MODEL 091-55-20-120

93 [7' 10"]
APPROX. O.A.H.
FULLY LOADED
GAWR/GVWR



COMPARTMENTATION						
COMPT.	BEHIND DOOR			CLEAR OPENING		COMPT. VOLUME
	WIDTH	HEIGHT	DEPTH	DOOR WIDTH	DOOR HEIGHT	
T1:	59"	57"	96"	50 1/2"	47 1/2"	186.8 FT ³
L1:	44"	40"	48"	41 1/2"	30"	48.9 FT ³
L2:	33"	57"	24"	30 1/2"	47 1/2"	26.1 FT ³
R1:	44"	40"	48"	41 1/2"	30"	48.9 FT ³
R2:	33"	57"	24"	30 1/2"	47 1/2"	26.1 FT ³
RR1:	48"	45"	38"	45 1/2"	35"	47.5 FT ³



INTERSECTION LIGHTS
WHELEN LED
MODEL LINZ6R
(QTY 2)

CREATED WITH AutoCAD®

B	DM	22 MAR '19	CLEAN ORDER RELEASE
A	DM	25 SEP '18	ORIGINAL RELEASE
LET	BY	DATE	REVISION

HME INCORPORATED 1950 BYRON CENTER AVE.
WYOMING, MI. 49519

THIS PRINT IS PROVIDED ON A RESTRICTED BASIS AND IS NOT TO BE USED IN ANY WAY DETRIMENTAL TO THE INTERESTS OF HME, INC.

NAME
HME FORD PACKRAT

DRAWN D. MEAD	DATE 25 SEP '18	APPROVED N/A	DRAWING FILE 23259 - HME FORD PACKRAT.DWG
THIRD ANGLE PROJECTION	SIZE B	NUMBER 23259	SCALE NTS SHEET 1 OF 1