

THIS DRAWING IS AN OVERALL REPRESENTATION OF THE APPARATUS AS PROPOSED.

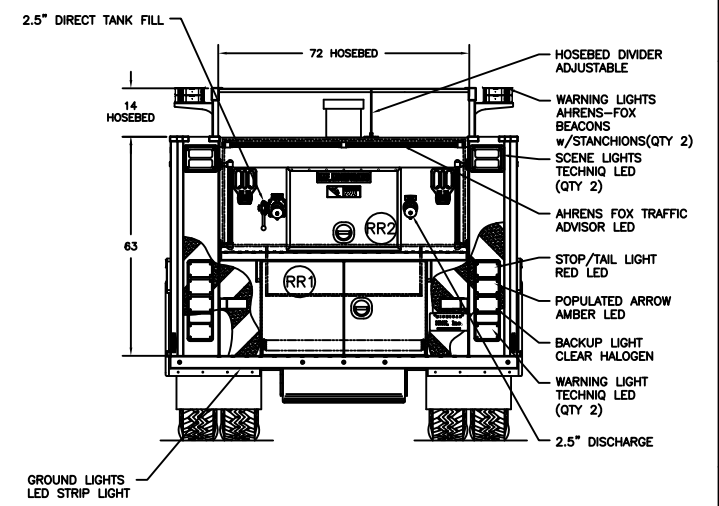
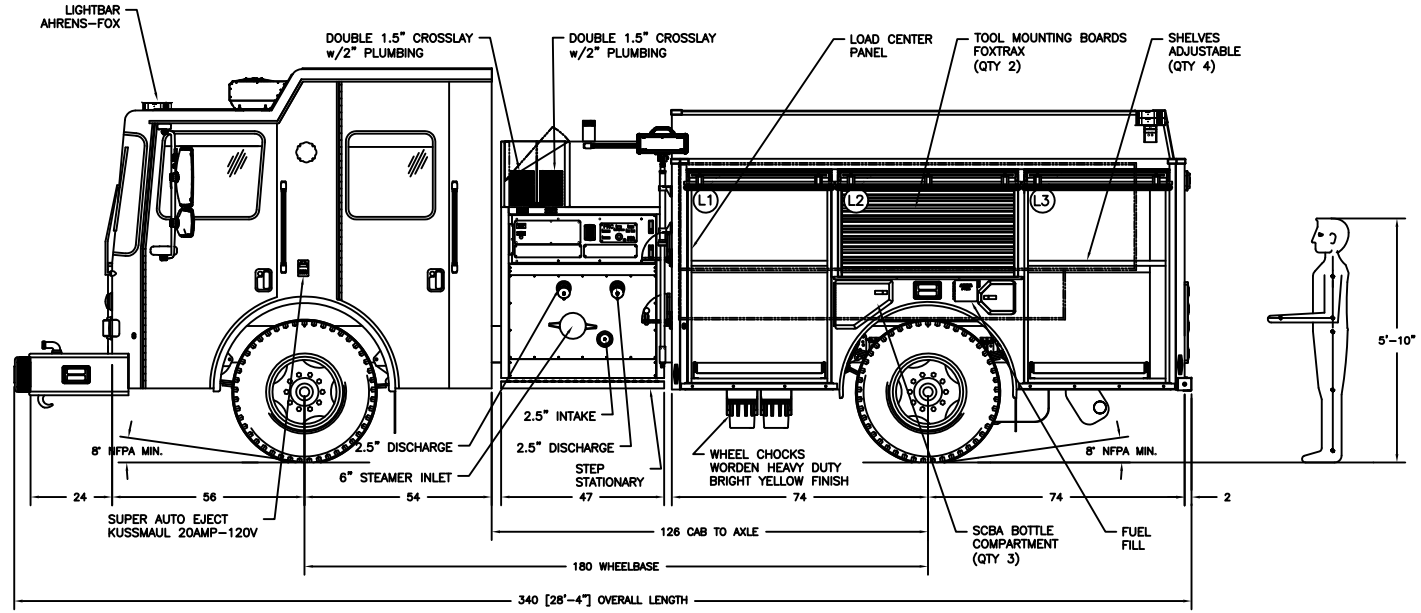
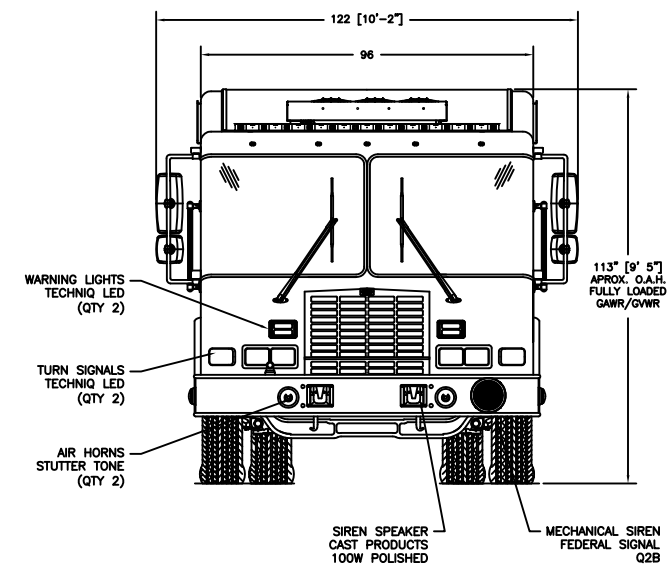
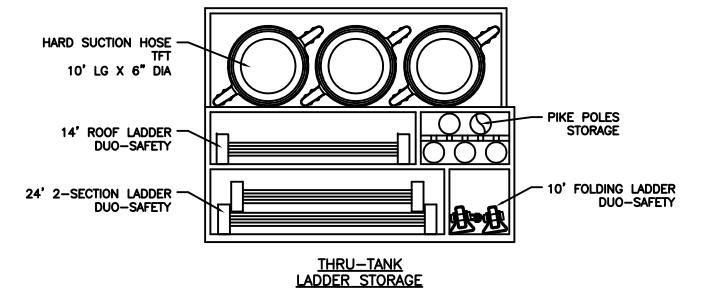
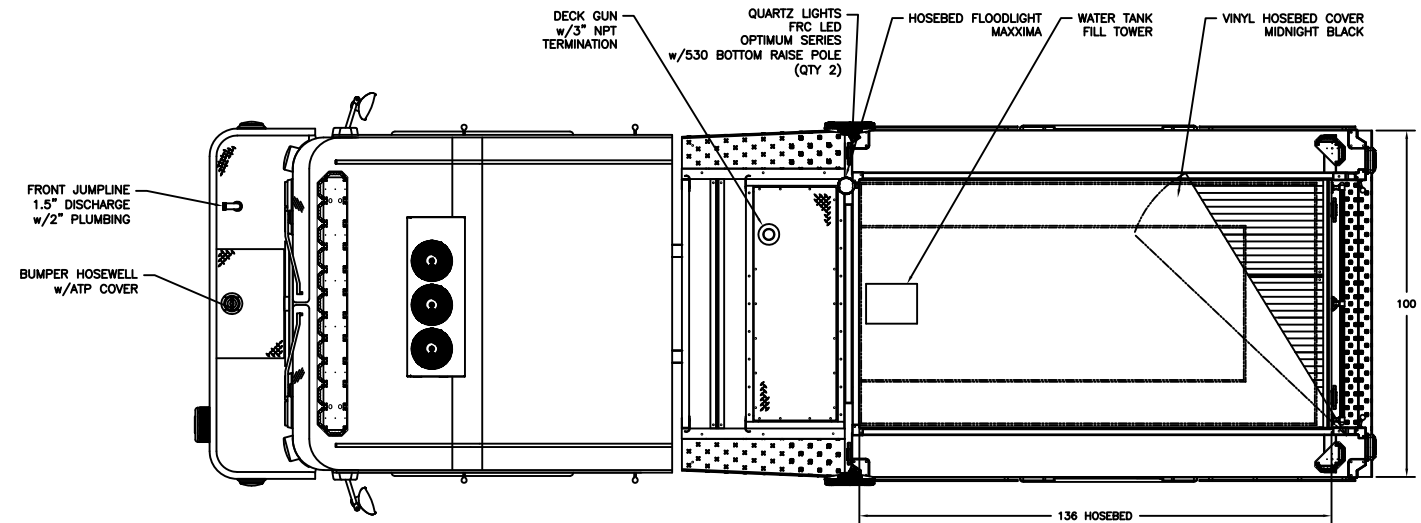
THE EXACT DIMENSIONS, LOCATIONS OF ACCESSORIES AND/OR COMPONENTS MAY BE REVISED PENDING COMPLETE ENGINEERING OF THE CUSTOM REQUIREMENTS OF THE INDIVIDUAL APPARATUS ORDER.

IF THERE IS A DISCREPANCY BETWEEN THE BODYBUILDER PRINT AND THE WRITTEN PROPOSAL, THE SPECIFICATIONS WITHIN THE PROPOSAL PREVAIL.

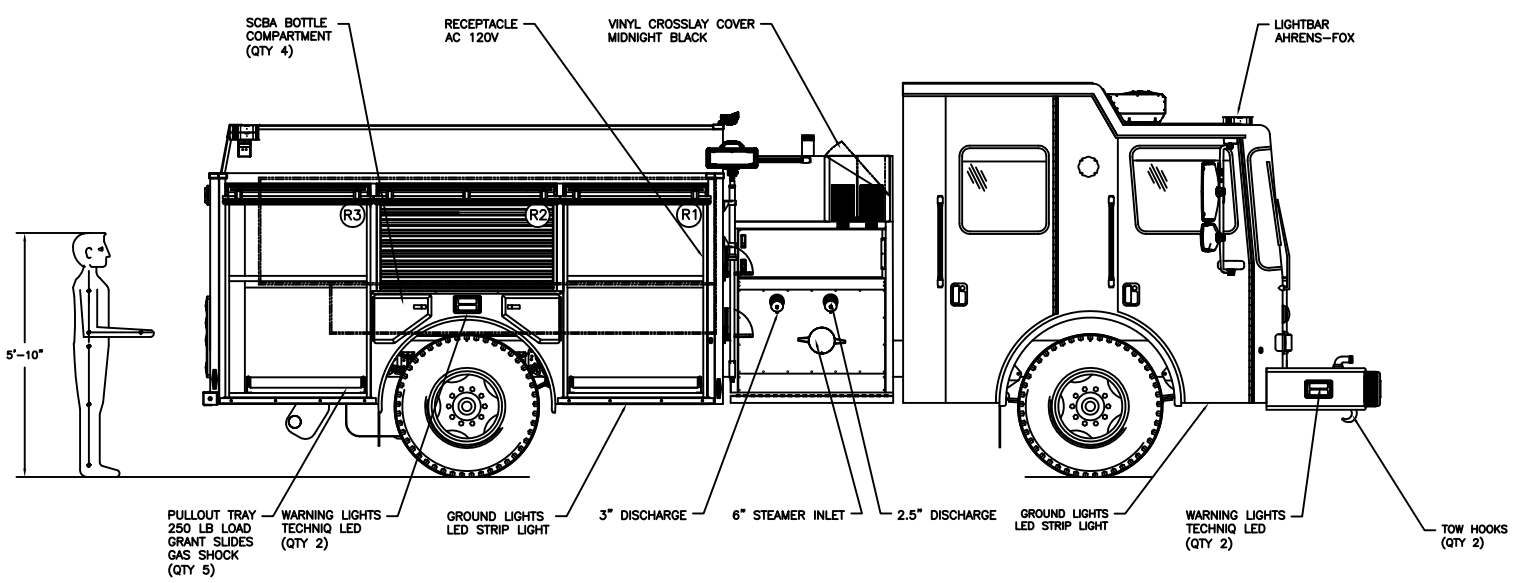
This drawing along with any changes made and Initialed by both the "Fire Department" & HME, Inc. represents what will be constructed and supplied to the "Fire Department." Any changes to the contract specifications and drawing after today's date will be addressed via appropriate change order signed and approved by both the "Fire Department" & HME, Inc.

APPROVED BY: _____ TITLE: _____
FIRE DEPARTMENT

APPROVED BY: _____ TITLE: _____
HME Incorporated



COMPARTMENTATION					
COMPT.	BEHIND DOOR			CLEAR OPENING	
	WIDTH	HEIGHT	DEPTH	DOOR WIDTH	DOOR HEIGHT
L1 UPPER:	48"	33"	12"	39"	53"
L1 LOWER:	48"	30"	24"	39"	53"
L2:	52"	33"	12"	49"	23"
L3 UPPER:	43"	33"	12"	39"	53"
L3 LOWER:	43"	30"	24"	39"	53"
R1 UPPER:	48"	33"	12"	39"	53"
R1 LOWER:	48"	30"	24"	39"	53"
R2:	52"	33"	12"	49"	23"
R3 UPPER:	43"	33"	12"	39"	53"
R3 LOWER:	43"	30"	24"	39"	53"
RR1:	48"	29"	22"	45"	24"



C	JB	09 OCT '20	DRAWING REVISION
B	JB	17 SEP '20	CHANGE ORDER
A	JB	17 AUG '20	ORIGINAL RELEASE (PRE DRAWING REVIEW)
LET	BY	DATE	REVISION



1950 BYRON CENTER AVE.
WYOMING, MI. 49519

THIS PRINT IS PROVIDED ON A RESTRICTED BASIS AND IS NOT TO BE USED IN ANY WAY DETRIMENTAL TO THE INTERESTS OF HME, INC.

NAME
HME SFO SILVERFOX

DRAWN J. BELANGER	DATE 17 AUG '20	APPROVED N/A	DRAWING FILE 23629-SFO SILVERFOX.DWG
THIRD ANGLE PROJECTION	SIZE B	NUMBER 23629	SCALE NTS

SHEET 1 OF 1

CREATED WITH AutoCAD®